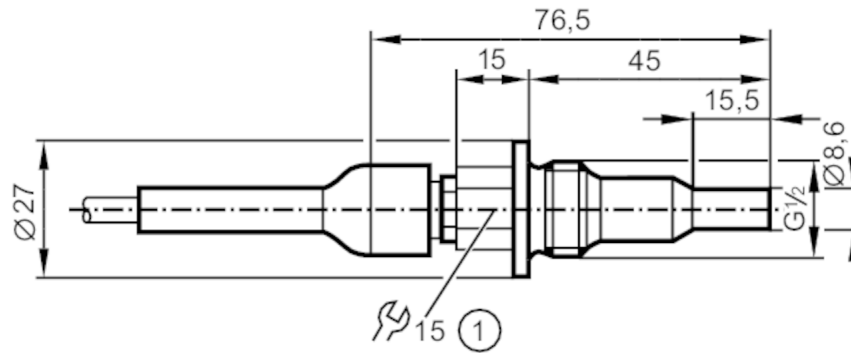


# SF3410



## Flow sensor for connection to an evaluation unit

SFR12XBK/6M



1 tightening torque max. 30 Nm



### Product characteristics

Probe length L	[mm]	30
Process connection		threaded connection G 1/2 external thread

### Application

Media		Liquids; aggressive media
Medium temperature	[°C]	5...70
Pressure rating		30 bar / 3 MPa

### Liquids

Medium temperature	[°C]	5...70
--------------------	------	--------

### Electrical data

Connection to control monitor		VS3000
-------------------------------	--	--------

### Measuring/setting range

Probe length L	[mm]	30
Liquids		
Setting range	[cm/s]	3...60
Greatest sensitivity	[cm/s]	3...40

### Accuracy / deviations

Max. temperature gradient of medium	[K/min]	7
-------------------------------------	---------	---

### Reaction times

Response time	[s]	2...20
---------------	-----	--------

### Liquids

Response time	[s]	2...20
---------------	-----	--------

### Operating conditions

Protection		IP 67
------------	--	-------

### Tests / approvals

Shock resistance	DIN IEC 68-2-27	40 g (11 ms)
Vibration resistance	DIN IEC 68-2-6	10 g (55...2000 Hz)
MTTF	[years]	8213

# SF3410



## Flow sensor for connection to an evaluation unit

SFR12XBK/6M

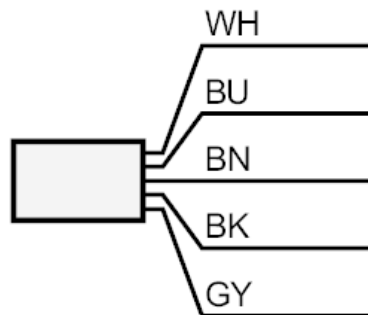
Mechanical data		
Weight	[g]	389.5
Housing		tubular
Material		ceramics (99.7 % Al <sub>2</sub> O <sub>3</sub> )
Materials (wetted parts)		ceramics (99.7 % Al <sub>2</sub> O <sub>3</sub> )
Process connection		threaded connection G 1/2 external thread
Probe diameter	[mm]	8.6
Installation length EL	[mm]	45

Accessories	
Items supplied	sealings: 1, PTFE

Remarks	
Remarks	For sealing use the supplied PTFE packing washer.
Pack quantity	1 pcs.

Electrical connection	
Cable: 6 m, PUR; Maximum cable length: 100 m; 5 x 0.34 mm <sup>2</sup> , PVC	

### Connection



	Core colors :
BN =	brown
BU =	blue
BK =	black
WH =	white
GY =	grey