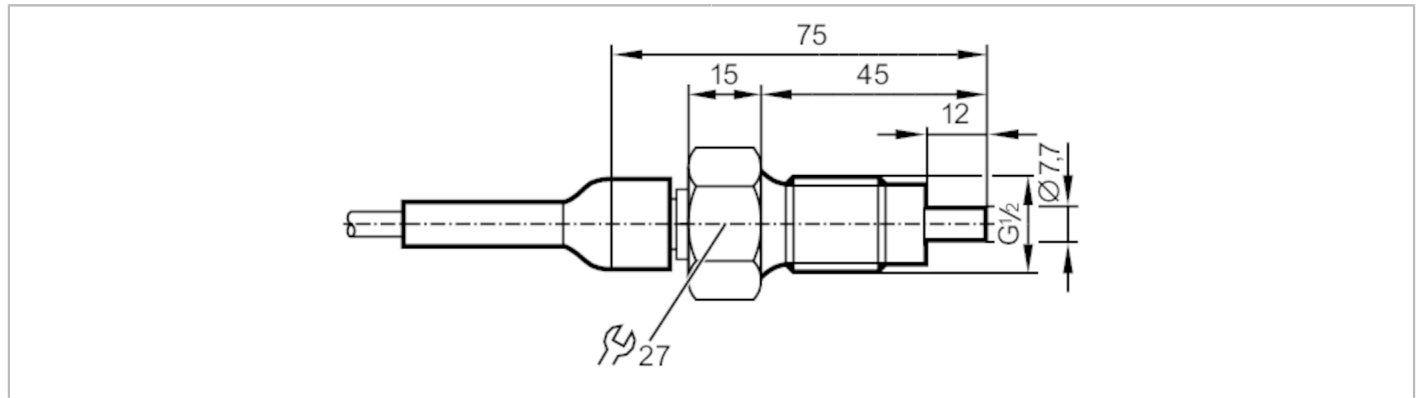


SF321A



Flow sensor for connection to an evaluation unit

SFR12ABB/2G




Product characteristics	
Probe length L [mm]	12
Process connection	threaded connection G 1/2 external thread
Application	
Media	Liquids; Gases
Medium temperature [°C]	-20...70
Pressure rating	30 bar 3 MPa
Liquids	
Medium temperature [°C]	-20...70
Gases	
Medium temperature [°C]	-20...70
Electrical data	
Connection to control monitor	VS2000 Exi (PTB 01 ATEX 2075)
Measuring/setting range	
Probe length L [mm]	12
Liquids	
Setting range [cm/s]	3...300
Greatest sensitivity [cm/s]	3...60
Gases	
Setting range [cm/s]	200...2000
Greatest sensitivity [cm/s]	200...800
Accuracy / deviations	
Max. temperature gradient of [K/min] medium	15
Reaction times	
Response time [s]	1...10
Liquids	
Response time [s]	1...10
Gases	
Response time [s]	1...10

SF321A



Flow sensor for connection to an evaluation unit

SFR12ABB/2G

Operating conditions		
Ambient temperature	[°C]	-20...70
Protection		IP 67
Tests / approvals		
Approval		DMT 03 ATEX E091; IECEX BVS 06.0007
ATEX marking		 II 2G Ex ia IIC T4 Gb
Shock resistance	DIN IEC 68-2-27	40 g (11 ms)
Vibration resistance	DIN IEC 68-2-6	10 g (55...2000 Hz)
MTTF	[years]	8648
Safety classification		
Max. internal capacitance	[nF]	1.2
Max. internal inductance	[µH]	6
Temperature class		T4
Mechanical data		
Weight	[g]	456
Housing		tubular
Material		stainless steel (1.4404 / 316L)
Materials (wetted parts)		stainless steel (1.4404 / 316L)
Process connection		threaded connection G 1/2 external thread
Probe diameter	[mm]	7.7
Installation length EL	[mm]	45
Remarks		
Remarks		In principle, the type test according to 94/9/EC (ATEX) only takes atmospheric conditions into account (0.8...1.1 bar). For pressures outside this range use must be assessed and approved by the user. Adhere to the operating instructions and the type test certificate.
Pack quantity		1 pcs.

SF321A



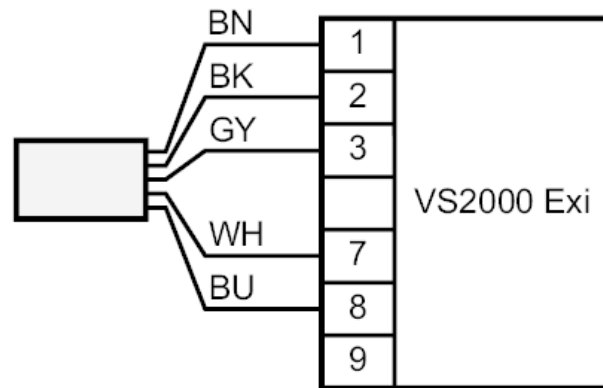
Flow sensor for connection to an evaluation unit

SFR12ABB/2G

Electrical connection

Cable: 6 m, TPE-S; Maximum cable length: 100 m; 5 x 0.34 mm²

Connection



Core colors :

BN = brown
BU = blue
BK = black
WH = white
GY = grey