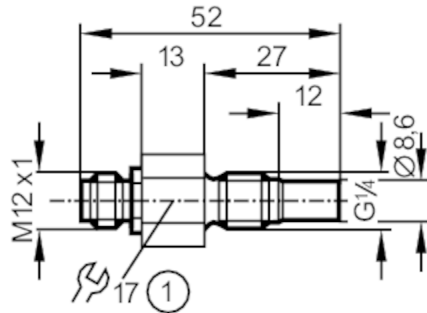


SF2405



Flow sensor for connection to an evaluation unit

SFR14XBK/US-100



1 tightening torque max. 8 Nm



Product characteristics

Probe length L	[mm]	12
Process connection		threaded connection G 1/4 external thread

Application

Media		Liquids; aggressive media
Medium temperature	[°C]	5...70
Pressure rating		30 bar / 3 MPa

Liquids

Medium temperature	[°C]	5...70
--------------------	------	--------

Electrical data

Connection to control monitor		VS3000
-------------------------------	--	--------

Measuring/setting range

Probe length L	[mm]	12
Liquids		
Setting range	[cm/s]	3...60
Greatest sensitivity	[cm/s]	3...40

Accuracy / deviations

Max. temperature gradient of medium	[K/min]	7
-------------------------------------	---------	---

Reaction times

Response time	[s]	2...20
---------------	-----	--------

Liquids

Response time	[s]	2...20
---------------	-----	--------

Operating conditions

Protection		IP 67
------------	--	-------

Tests / approvals

Shock resistance	DIN IEC 68-2-27	40 g (11 ms)
Vibration resistance	DIN IEC 68-2-6	10 g (55...2000 Hz)
MTTF	[years]	8648

SF2405



Flow sensor for connection to an evaluation unit

SFR14XBK/US-100

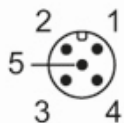
Mechanical data	
Weight [g]	41.5
Housing	tubular
Material	ceramics (99.7 % Al ₂ O ₃)
Materials (wetted parts)	ceramics (99.7 % Al ₂ O ₃)
Process connection	threaded connection G 1/4 external thread
Probe diameter [mm]	8.6
Installation length EL [mm]	27

Accessories	
Items supplied	sealings: 1, PTFE

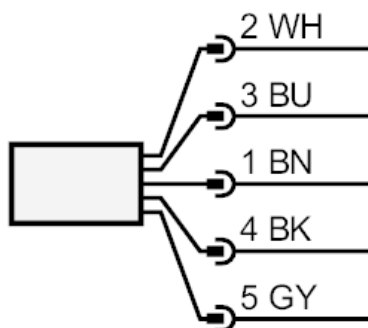
Remarks	
Remarks	For sealing use the supplied PTFE packing washer.
Pack quantity	1 pcs.

Electrical connection

Connector: 1 x M12; coding: A; Maximum cable length: 100 m



Connection



	Core colors :
BN =	brown
BU =	blue
BK =	black
WH =	white
GY =	grey