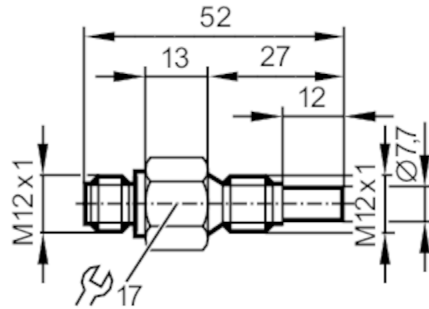


SF120A



Flow sensor for connection to an evaluation unit

SFM12ABB/US/2G



Product characteristics

Probe length L	[mm]	12
Process connection		threaded connection M12 x 1 external thread

Application

Media		Liquids; Gases
Medium temperature	[°C]	-20...70
Pressure rating	30 bar	3 MPa

Liquids

Medium temperature	[°C]	-20...70
--------------------	------	----------

Gases

Medium temperature	[°C]	-20...70
--------------------	------	----------

Electrical data

Connection to control monitor		VS2000 Exi (PTB 01 ATEX 2075)
-------------------------------	--	-------------------------------

Measuring/setting range

Probe length L	[mm]	12
----------------	------	----

Liquids

Setting range	[cm/s]	3...300
Greatest sensitivity	[cm/s]	3...60

Gases

Setting range	[cm/s]	200...2000
Greatest sensitivity	[cm/s]	200...800

Accuracy / deviations

Max. temperature gradient of medium	[K/min]	15
-------------------------------------	---------	----

Reaction times

Response time	[s]	1...10
---------------	-----	--------

Liquids

Response time	[s]	1...10
---------------	-----	--------

Gases


Response time	[s]	1...10
---------------	-----	--------

SF120A



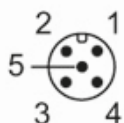
Flow sensor for connection to an evaluation unit

SFM12ABB/US/2G

Operating conditions	
Ambient temperature [°C]	-20...70
Protection	IP 67
Tests / approvals	
Approval	DMT 03 ATEX E091; IECEX BVS 06.0007
ATEX marking	 II 2G Ex ia IIC T4 Gb
Shock resistance	DIN IEC 68-2-27 40 g (11 ms)
Vibration resistance	DIN IEC 68-2-6 10 g (55...2000 Hz)
MTTF [years]	8648
Safety classification	
Max. internal capacitance [nF]	0.4
Max. internal inductance [µH]	2
Temperature class	T4
Mechanical data	
Weight [g]	111.5
Housing	tubular
Material	stainless steel (1.4404 / 316L)
Materials (wetted parts)	stainless steel (1.4404 / 316L)
Process connection	threaded connection M12 x 1 external thread
Probe diameter [mm]	7.7
Installation length EL [mm]	27
Remarks	
Remarks	In principle, the type test according to 94/9/EC (ATEX) only takes atmospheric conditions into account (0.8...1.1 bar). For pressures outside this range use must be assessed and approved by the user. Adhere to the operating instructions and the type test certificate.
Pack quantity	1 pcs.

Electrical connection

Connector: 1 x M12; coding: A; Maximum cable length: 100 m



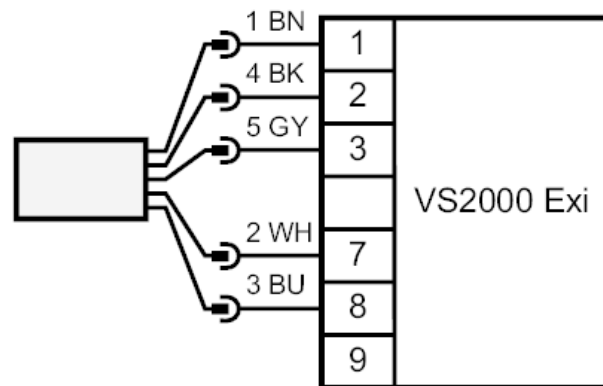
SF120A



Flow sensor for connection to an evaluation unit

SFM12ABB/US/2G

Connection



Core colors :
BN = brown
BU = blue
BK = black
WH = white
GY = grey