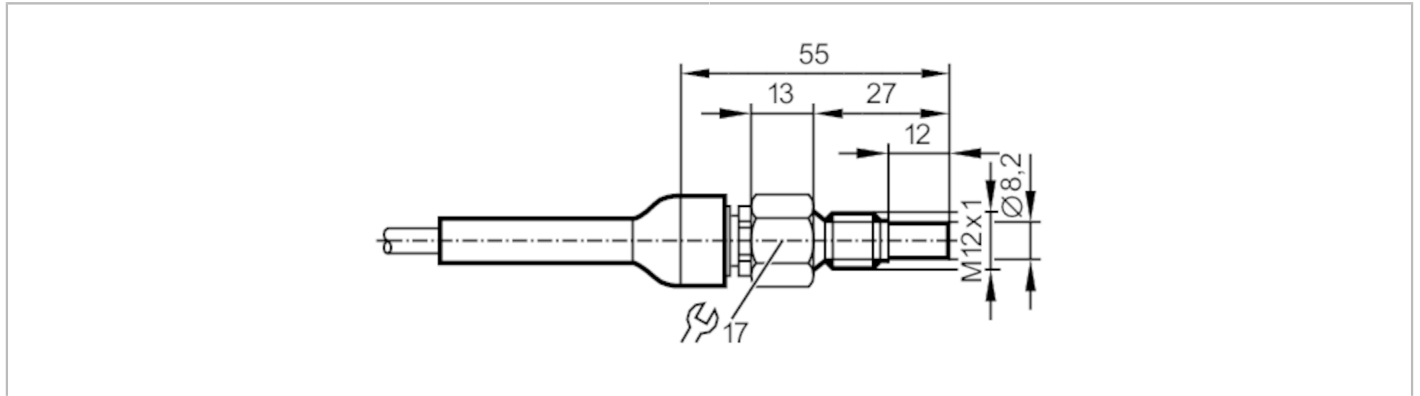


# SF111A



## Flow sensor for connection to an evaluation unit

SFM12ADB/1/2G /6M



Product characteristics	
Probe length L	[mm] 12
Process connection	threaded connection M12 x 1 external thread
Application	
Media	Liquids; Gases
Medium temperature	[°C] -20...60
Pressure rating	300 bar 30 MPa
Liquids	
Medium temperature	[°C] -20...60
Gases	
Medium temperature	[°C] -20...60
Electrical data	
Connection to control monitor	VS2000 Exi (PTB 01 ATEX 2075)
Measuring/setting range	
Probe length L	[mm] 12
Liquids	
Setting range	[cm/s] 3...300
Greatest sensitivity	[cm/s] 3...60
Gases	
Setting range	[cm/s] 200...2000
Greatest sensitivity	[cm/s] 200...800
Accuracy / deviations	
Max. temperature gradient of medium	[K/min] 15
Reaction times	
Response time	[s] 1...10
Liquids	
Response time	[s] 1...10
Gases	
Response time	[s] 1...10

# SF111A



## Flow sensor for connection to an evaluation unit

SFM12ADB/1/2G /6M

### Operating conditions

Ambient temperature	[°C]	-20...60
Protection		IP 67

### Tests / approvals

Approval	DMT 03 ATEX E 090 X; TIIS TC17434; IECEx BVS 11.0017 X	
ATEX marking		
Shock resistance	DIN IEC 68-2-27	40 g (11 ms)
Vibration resistance	DIN IEC 68-2-6	10 g (55...2000 Hz)
MTTF	[years]	8648

### Mechanical data

Weight	[g]	354.5
Housing		tubular
Dimensions	[mm]	Ø 19.6 / L = 105
Material		stainless steel (1.4404 / 316L)
Materials (wetted parts)		stainless steel (1.4404 / 316L)
Process connection		threaded connection M12 x 1 external thread
Probe diameter	[mm]	8.2
Installation length EL	[mm]	27

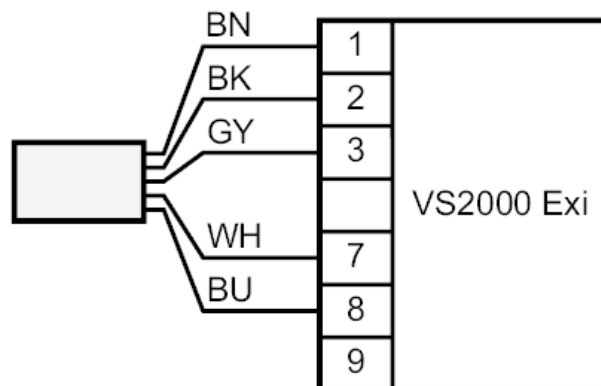
### Remarks

Remarks	<p>In principle, the type test according to 94/9/EC (ATEX) only takes atmospheric conditions into account (0.8...1.1 bar).</p> <p>For pressures outside this range use must be assessed and approved by the user.</p> <p>Adhere to the operating instructions and the type test certificate.</p>
Pack quantity	1 pcs.

### Electrical connection

Cable: 6 m, TPE-S; Maximum cable length: 100 m; 5 x 0.34 mm<sup>2</sup>

### Connection



	Core colors :
BN =	brown
BU =	blue
BK =	black
WH =	white
GY =	grey