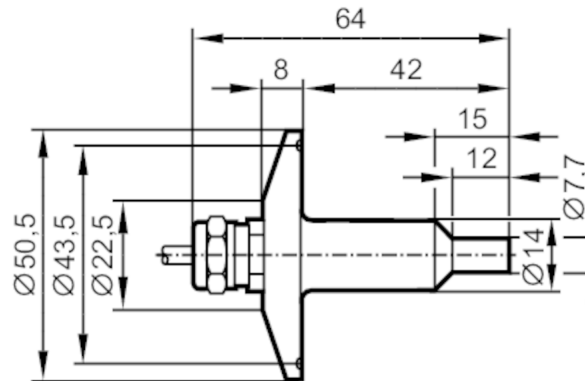


SF0516



Flow sensor for connection to an evaluation unit

SFG14ZBB/6M



Product characteristics	
Probe length L [mm]	42
Process connection	Clamp DN25...DN40 (1...1,5") DIN 32676 (ISO 2852)
Application	
Application	high temperature; hygienic applications
Pressure rating	30 bar 3 MPa
Liquids	
Application	high temperature; hygienic applications
Medium temperature [°C]	0...120
Gases	
Medium temperature [°C]	0...100
Electrical data	
Connection to control monitor	VS3000
Measuring/setting range	
Probe length L [mm]	42
Liquids	
Setting range [cm/s]	3...300
Greatest sensitivity [cm/s]	3...60
Gases	
Setting range [cm/s]	200...2000
Greatest sensitivity [cm/s]	200...800
Accuracy / deviations	
Max. temperature gradient of [K/min] medium	15
Reaction times	
Response time [s]	1...10
Liquids	
Response time [s]	1...10

SF0516



Flow sensor for connection to an evaluation unit

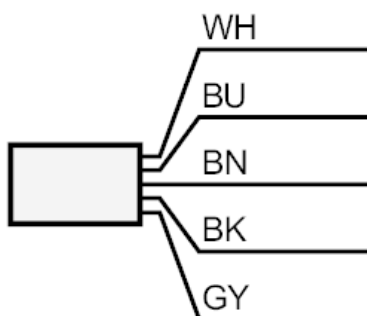
SFG14ZBB/6M

Gases		
Response time	[s]	1...10
Operating conditions		
Protection		IP 67
Tests / approvals		
Shock resistance	DIN IEC 68-2-27	40 g (11 ms)
Vibration resistance	DIN IEC 68-2-6	10 g (55...2000 Hz)
MTTF	[years]	8648
Mechanical data		
Weight	[g]	485
Housing		tubular
Dimensions	[mm]	Ø 14 / L = 64
Material		stainless steel (1.4571/316Ti)
Materials (wetted parts)		stainless steel (1.4571/316Ti)
Process connection		Clamp DN25...DN40 (1...1,5") DIN 32676 (ISO 2852)
Probe diameter	[mm]	7.7
Installation length EL	[mm]	42
Remarks		
Remarks		The 3-A qualification is only valid if adapters with 3-A qualification are used for installation.
Pack quantity		1 pcs.

Electrical connection

Cable: 6 m, silicone; Maximum cable length: 100 m; 5 x 0.34 mm²

Connection



	Core colors :
BN =	brown
BU =	blue
BK =	black
WH =	white
GY =	grey