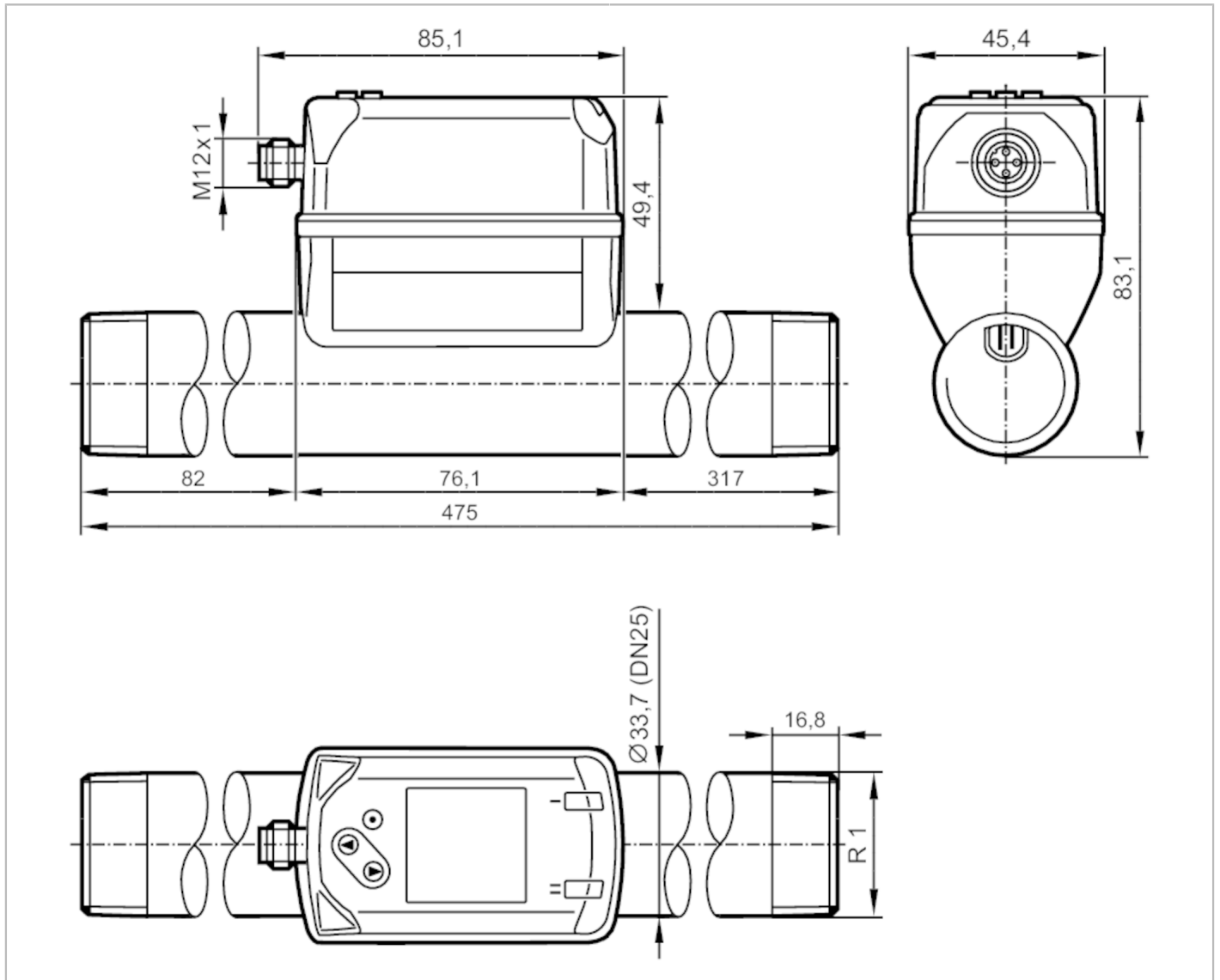


SD8500



Compressed air meter

SDR11DGXFRKG/US-100



Product characteristics

Number of inputs and outputs	Number of digital outputs: 2; Number of analog outputs: 1		
Measuring range	14...3750 l/min	0.4...103.7 m/s	0.8...225 m³/h
Process connection	threaded connection R 1 external thread DN25		

Application

Application	for industrial applications		
Media	compressed air		
Medium temperature [°C]	-10...60		
Min. burst pressure	64 bar	6.4 MPa	
Pressure rating	16 bar	1.6 MPa	
MAWP (for applications according to CRN) [bar]	10.5		

Electrical data

Operating voltage [V]	18...30 DC; (to SELV/PELV)
-----------------------	----------------------------

SD8500



Compressed air meter

SDR11DGXFRKG/US-100

Current consumption	[mA]	< 80
Protection class		III
Reverse polarity protection		yes
Power-on delay time	[s]	1

Inputs / outputs

Number of inputs and outputs	Number of digital outputs: 2; Number of analog outputs: 1
------------------------------	---

Inputs

Inputs	counter reset
--------	---------------

Outputs

Output signal	switching signal; analog signal; pulse signal; IO-Link; (configurable)
Electrical design	PNP/NPN
Number of digital outputs	2
Output function	normally open / closed; (configurable)
Max. voltage drop switching output DC	[V] 2.5
Permanent current rating of switching output DC	[mA] 150; (per output)
Number of analog outputs	1
Analog current output	[mA] 4...20; (scalable)
Max. load	[Ω] 500
Pulse output	consumed quantity meter
Short-circuit protection	yes
Type of short-circuit protection	yes (non-latching)
Overload protection	yes

Measuring/setting range

Measuring range	14...3750 l/min	0.4...103.7 m/s	0.8...225 m³/h
Display range	0...4500 l/min	0...124.4 m/s	0...270 m³/h
Resolution	2 l/min	0.1 m/s	0.1 m³/h
Set point SP	32...3749 l/min	0.9...103.7 m/s	1.9...224.9 m³/h
Reset point rP	14...3730 l/min	0.4...103.2 m/s	0.8...223.8 m³/h
Analog start point ASP	0...3000 l/min	0...83 m/s	0...180 m³/h
Analog end point AEP	750...3750 l/min	20.7...103.7 m/s	45...225 m³/h
Low flow cut-off LFC	4...40 l/min	0.1...1.1 m/s	0.3...2.4 m³/h
In steps of	1 l/min	0.1 m/s	0.1 m³/h

Pressure monitoring

Measuring range	[bar]	-1...16
Display range	[bar]	-1...20
Resolution	[bar]	0.05
Set point SP	[bar]	-0.92...16
Reset point rP	[bar]	-1...15.92
Analog start point	[bar]	-1...12.8
Analog end point	[bar]	2.2...16
In steps of	[bar]	0.01

SD8500



Compressed air meter

SDR11DGXFRKG/US-100

Volumetric flow quantity monitoring		
Measuring range	0...100000000 m ³	0...353146667.2 scf
Display range	0...100000000 m ³	0...353146667.2 scf
Set point SP	0.001...10000000 m ³	0.05...353146667.2 scf
Pulse value	0.001...10000000 m ³	0.05...353146667.2 scf
In steps of	0.0001 m ³	0.005 scf
Pulse length [s]		0.007...2
Temperature monitoring		
Measuring range	-10...60 °C	14...140 °F
Display range	-24...74 °C	-11.2...165.2 °F
Resolution	0.2 °C	0.5 °F
Set point SP	-9.7...60 °C	14.6...140 °F
Reset point rP	-10...59.7 °C	14...139.4 °F
Analog start point	-10...46 °C	14...114.8 °F
Analog end point	4...60 °C	39.2...140 °F
In steps of	0.1 °C	0.1 °F
Accuracy / deviations		
Temperature coefficient [1/K]		± 0,07 % MW
Accuracy (in the measuring range)		class 141: ± (2 % MW + 0,5 % MEW); class 344: ± (6 % MW + 0,6 % MEW) ; air quality to ISO 8573-1:2010; at medium temperature 23 °C
Repeatability		± (0,4 % MW + 0,1 % MEW)
Pressure monitoring		
Repeatability [% of the final value]		± 0,2
Characteristics deviation [% of the final value]		< ± 0,5; (BFSL = Best Fit Straight Line)
Greatest TEMPCO of the span [% MEW / 10 K]		± 0,3
Greatest TEMPCO of the zero point [% MEW / 10 K]		± 0,1
Temperature monitoring		
Accuracy [K]		± 0,5; (medium flow in the limit area of the flow measurement range)
Reaction times		
Response time [s]		0.1; (dAP = 0)
Damping process value dAP [s]		0...5
Pressure monitoring		
Response time [s]		0.05
Temperature monitoring		
Dynamic response T05 / T09 [s]		T09 = 0,5
Software / programming		
Parameter setting options		hysteresis / window; normally open / closed; current/pulse output; display can be rotated and switched off; Display unit; totalizer
Interfaces		
Communication interface		IO-Link

SD8500



Compressed air meter

SDR11DGXFRKG/US-100

Transmission type	COM2 (38,4 kBaud)	
IO-Link revision	1.1	
SDCI standard	IEC 61131-9 CDV	
Profiles	Common - I&D	Identification and Diagnosis
	Function	Measurement data, standard resolution
SIO mode	yes	
Required master port class	A	
Process data analog	8	
Process data binary	2	
Min. process cycle time [ms]	7.2	
Supported DeviceIDs	Type of operation	DeviceID
	default	866

Operating conditions

Ambient temperature [°C]	0...60	
Storage temperature [°C]	-20...85	
Max. relative air humidity [%]	90	
Protection	IP 65; IP 67	

Tests / approvals

EMC	DIN EN 60947-5-9	
CPA approval	model number	001TG
	accuracy class	-
	maximum allowable error	± 2,5 % FS
	Q (min)	0,8 m³/h
	Q (t)	-
	Q (max)	225 m³/h
Vibration resistance	DIN EN 68000-2-6	5 g (10...2000 Hz)
MTTF [years]	183	
UL approval	UL approval number	I012
	File number UL	E174189
Pressure equipment directive	sound engineering practice; can be used for stable gases fluid group 2	

Mechanical data

Weight [g]	1598.5	
Housing	rectangular	
Dimensions [mm]	475 x 45.4 x 83.1	
Material	PBT+PC-GF30; PPS GF40; stainless steel (1.4301 / 304); stainless steel (1.4305 / 303); steel (1.5523) galvanized; 2.0401 (brass / CW614N); FKM	
Materials (wetted parts)	stainless steel (1.4301 / 304); stainless steel (1.4305 / 303); FKM; ceramics glass passivated; PPS GF40; Al2O3 (ceramics); acrylate	
Process connection	threaded connection R 1 external thread DN25	

Displays / operating elements

Display	Color display 1,44", 128 x 128 pixels	
	2 x LED, yellow	

SD8500



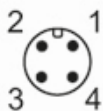
Compressed air meter

SDR11DGXFRKG/US-100

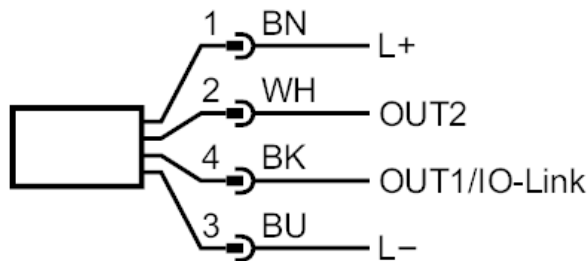
Remarks	
Remarks	MW = Measured value
	MEW = Final value of the measuring range
	Measuring, display and setting ranges refer to standard volume flow according to DIN ISO 2533.
	For information about installation and operation please see the operating instructions.
Pack quantity	1 pcs.

Electrical connection

Connector: 1 x M12; coding: A



Connection



- OUT1/IO-Link:
 - Switching output flow
 - Switching output temperature
 - Switching output pressure
 - Pulse output quantity meter
 - signal output Preset counter
- OUT2/InD:
 - Switching output flow
 - Switching output temperature
 - Switching output pressure
 - analog output flow
 - analog output temperature
 - analog output pressure
 - signal output Preset counter
 - Pulse output quantity meter
 - Input counter reset