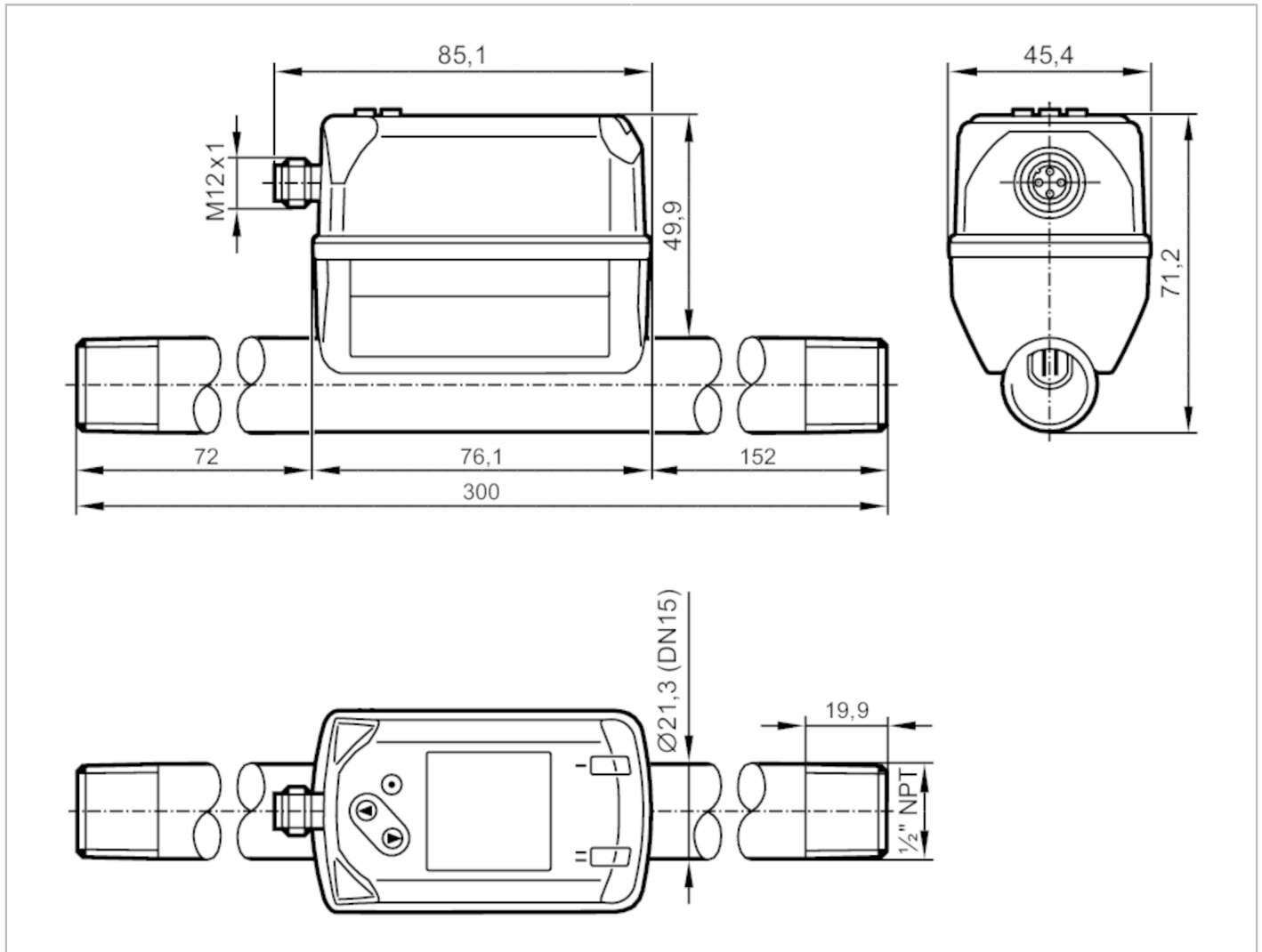


SD6501



Compressed air meter

SDN12DGXFRKG/US-100



Product characteristics	
Number of inputs and outputs	Number of digital outputs: 2; Number of analog outputs: 1
Measuring range	8...2648 scfh 0.15...44.15 scfm 1...327.4 ft/s
Process connection	threaded connection 1/2" NPT external thread DN15
Application	
Application	for industrial applications
Media	compressed air
Medium temperature [°F]	14...140
Min. burst pressure [psi]	928
Pressure rating [psi]	232
MAWP (for applications according to CRN) [bar]	9.7
Electrical data	
Operating voltage [V]	18...30 DC; (to SELV/PELV)
Current consumption [mA]	< 80
Protection class	III

SD6501



Compressed air meter

SDN12DGXFRKG/US-100

Reverse polarity protection	yes
Power-on delay time [s]	1

Inputs / outputs

Total number of inputs and outputs	2; (configurable)
Number of inputs and outputs	Number of digital outputs: 2; Number of analog outputs: 1

Outputs

Output signal	switching signal; analog signal; pulse signal; IO-Link; (configurable)
Electrical design	PNP/NPN
Number of digital outputs	2
Output function	normally open / closed; (configurable)
Max. voltage drop switching output DC [V]	2.5
Permanent current rating of switching output DC [mA]	150; (per output)
Number of analog outputs	1
Analog current output [mA]	4...20; (scalable)
Max. load [Ω]	500
Pulse output	consumed quantity meter
Short-circuit protection	yes
Type of short-circuit protection	yes (non-latching)
Overload protection	yes

Measuring/setting range

Measuring range	8...2648 scfh	0.15...44.15 scfm	1...327.4 ft/s
Display range	0...3178 scfh	0...52.95 scfm	0...393 ft/s
Resolution	2 scfh	0.05 scfm	0.2 ft/s
Set point SP	23...2648 scfh	0.38...44.13 scfm	2.8...327.3 ft/s
Reset point rP	10...2635 scfh	0.16...43.91 scfm	1.2...325.7 ft/s
Analog start point ASP	0...2119 scfh	0...35.31 scfm	0...261.9 ft/s
Analog end point AEP	530...2649 scfh	8.83...44.14 scfm	65.5...327.4 ft/s
Low flow cut-off LFC	3...28 scfh	0.05...0.47 scfm	0.4...3.5 ft/s
In steps of	1 scfh	0.01 scfm	0.1 ft/s

Pressure monitoring

Measuring range [psi]	-15...232
Display range [psi]	-15...290
Resolution [psi]	1
Set point SP [psi]	-13...232
Reset point rP [psi]	-15...231
Analog start point [psi]	-15...186
Analog end point [psi]	32...232
In steps of [psi]	1

Volumetric flow quantity monitoring

Measuring range	0...100000000 m ³	0...353146667.2 scf
Display range	0...100000000 m ³	0...353146667.2 scf
Set point SP	0.001...10000000 m ³	0.05...353146667.2 scf

SD6501



Compressed air meter

SDN12DGXFRKG/US-100

Pulse value	0.001...10000000 m ³	0.05...353146667.2 scf
In steps of	0.0001 m ³	0.005 scf
Pulse length [s]	0.002...2	

Temperature monitoring		
Measuring range	-10...60 °C	14...140 °F
Display range	-24...74 °C	-11.2...165.2 °F
Resolution	0.2 °C	0.5 °F
Set point SP	-9.7...60 °C	14.6...140 °F
Reset point rP	-10...59.7 °C	14...139.4 °F
Analog start point	-10...46 °C	14...114.8 °F
Analog end point	4...60 °C	39.2...140 °F
In steps of	0.1 °C	0.1 °F

Accuracy / deviations

Temperature coefficient [1/K]	± 0,07 % MW	
Accuracy (in the measuring range)	class 141: ± (2 % MW + 0,5 % MEW); class 344: ± (6 % MW + 0,6 % MEW) ; air quality to ISO 8573-1:2010; at medium temperature 73 °F	
Repeatability	± (0,4 % MW + 0,1 % MEW)	

Pressure monitoring		
Repeatability [% of the final value]	± 0,2	
Characteristics deviation [% of the final value]	< ± 0,5; (BFSL = Best Fit Straight Line)	
Greatest TEMPCO of the span [% MEW / 10 K]	± 0,3	
Greatest TEMPCO of the zero point [% MEW / 10 K]	± 0,1	

Temperature monitoring		
Accuracy [K]	± 0,5; (medium flow in the limit area of the flow measurement range)	

Reaction times

Response time [s]	0.1; (dAP = 0)	
Damping process value dAP [s]	0...5	

Pressure monitoring		
Response time [s]	0.05	

Temperature monitoring		
Dynamic response T05 / T09 [s]	T09 = 0,5	

Software / programming

Parameter setting options	hysteresis / window; normally open / closed; current/pulse output; display can be rotated and switched off; Display unit; totalizer	
---------------------------	---	--

Interfaces

Communication interface	IO-Link	
Transmission type	COM2 (38,4 kBaud)	
IO-Link revision	1.1	
SDCI standard	IEC 61131-9 CDV	

SD6501



Compressed air meter

SDN12DGXFRKG/US-100

Profiles	Common - I&D	Identification and Diagnosis
	Function	Measurement data, standard resolution
SIO mode		yes
Required master port class		A
Process data analog		8
Process data binary		2
Min. process cycle time [ms]		7.2
Supported DeviceIDs	Type of operation	DeviceID
	default	863

Operating conditions		
Ambient temperature [°F]		32...140
Storage temperature [°F]		-4...185
Max. relative air humidity [%]		90
Protection		IP 65; IP 67

Tests / approvals		
EMC	DIN EN 60947-5-9	
Vibration resistance	DIN EN 68000-2-6	5 g (10...2000 Hz)
MTTF [years]		183
UL approval	UL approval number	I012
	File number UL	E174189
Pressure equipment directive	sound engineering practice; can be used for stable gases fluid group 2	

Mechanical data		
Weight [g]		731
Housing		rectangular
Dimensions [mm]		300 x 45.4 x 71.2
Material	PBT+PC-GF30; PPS GF40; stainless steel (1.4301 / 304); stainless steel (1.4305 / 303); steel (1.5523) galvanized; 2.0401 (brass / CW614N); FKM	
Materials (wetted parts)	stainless steel (1.4301 / 304); stainless steel (1.4305 / 303); FKM; ceramics glass passivated; PPS GF40; Al2O3 (ceramics); acrylate	
Process connection	threaded connection 1/2" NPT external thread DN15	

Displays / operating elements		
Display		Color display 1,44", 128 x 128 pixels
		2 x LED, yellow

Remarks		
Remarks	MW = Measured value	
	MEW = Final value of the measuring range	
	Measuring, display and setting ranges refer to standard volume flow according to DIN ISO 2533.	
	For information about installation and operation please see the operating instructions.	
Pack quantity	1 pcs.	

SD6501



Compressed air meter

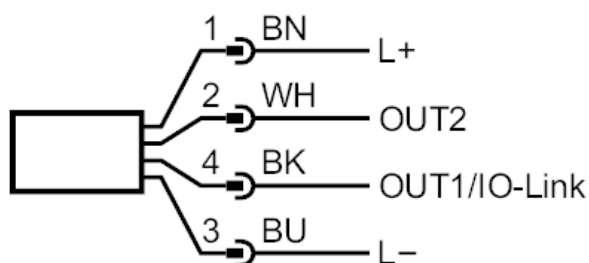
SDN12DGXFRKG/US-100

Electrical connection

Connector: 1 x M12; coding: A



Connection



- OUT1/IO-Link: Switching output flow
Switching output temperature
Switching output pressure
Pulse output quantity meter
signal output Preset counter
- OUT2/InD: Switching output flow
Switching output temperature
Switching output pressure
analog output flow
analog output temperature
analog output pressure
signal output Preset counter
Pulse output quantity meter
Input counter reset