

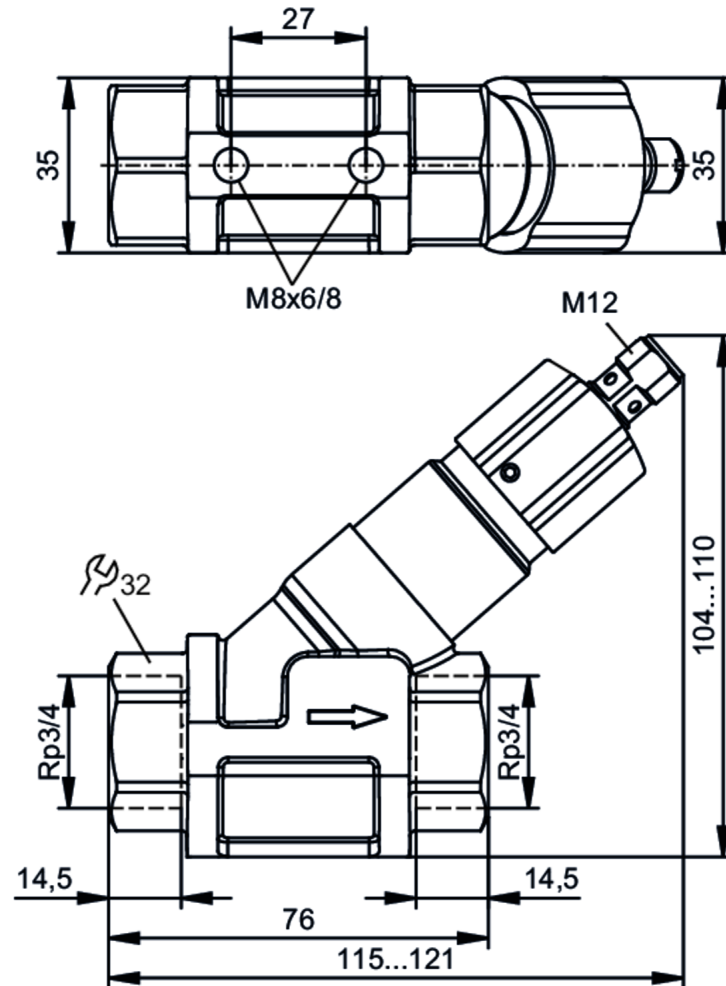
SBY332



Flow sensor with fast response time

SBY34BF0BPKG/US

Please note the changed housing design!



Product characteristics

Number of inputs and outputs	Number of digital outputs: 1
Process connection	threaded connection Rp 3/4 Internal thread

Application

Media	Liquids; water; glycol solutions; Coolants
Medium temperature [°C]	0...85
Pressure rating	40 bar 4 MPa

Electrical data

Operating voltage [V]	10...30 DC; (to SELV/PELV)
Current consumption [mA]	< 15
Protection class	III
Reverse polarity protection	yes

Inputs / outputs

Number of inputs and outputs	Number of digital outputs: 1
------------------------------	------------------------------

SBY332



Flow sensor with fast response time

SBY34BF0BPKG/US

Outputs		
Total number of outputs		1
Output signal		switching signal
Electrical design		PNP
Number of digital outputs		1
Output function		normally open
Max. voltage drop switching output DC [V]		2.5
Permanent current rating of switching output DC [mA]		100
Short-circuit protection		yes
Overload protection		yes
Measuring/setting range		
Setting range [l/min]		1...15
Accuracy / deviations		
Repeatability [% of the final value]		1
Hysteresis [l/min]		0,2...1
Measuring error [% of the final value]		± 5
Reaction times		
Response time [s]		< 0.01
Operating conditions		
Ambient temperature [°C]		0...60
Storage temperature [°C]		-15...80
Protection		IP 65; IP 67
Tests / approvals		
EMC	DIN EN 61000-6-2	
	DIN EN 61000-6-3	
Shock resistance	DIN EN 60068-2-27	20 g (11 ms)
Vibration resistance	DIN EN 60068-2-6	5 g (10...2000 Hz)
MTTF [years]		3318
Mechanical data		
Weight [g]		559.6
Material	brass chemically nickel-plated; PP; aluminum anodized; PA	
Materials (wetted parts)	stainless steel (1.4310 / 301); stainless steel (1.4301 / 304); PBT; brass chemically nickel-plated; PP; PPS; Polyolefin; O-ring: FKM	
Process connection	threaded connection Rp 3/4 Internal thread	
Switching cycles mechanical		10 million
Displays / operating elements		
Display	Switching status	4 x LED, yellow
Accessories		
Items supplied		Allen key

SBY332



Flow sensor with fast response time

SBY34BF0BPKG/US

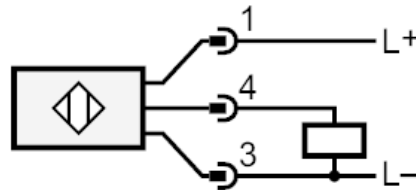
Remarks	
Remarks	Caution Do not turn the cap beyond the maximum value of the setting range. All data refer to water (20 °C).
Notes	Please note the changed housing design!
Pack quantity	1 pcs.

Electrical connection

Connector: 1 x M12; coding: A



Connection



SBY332

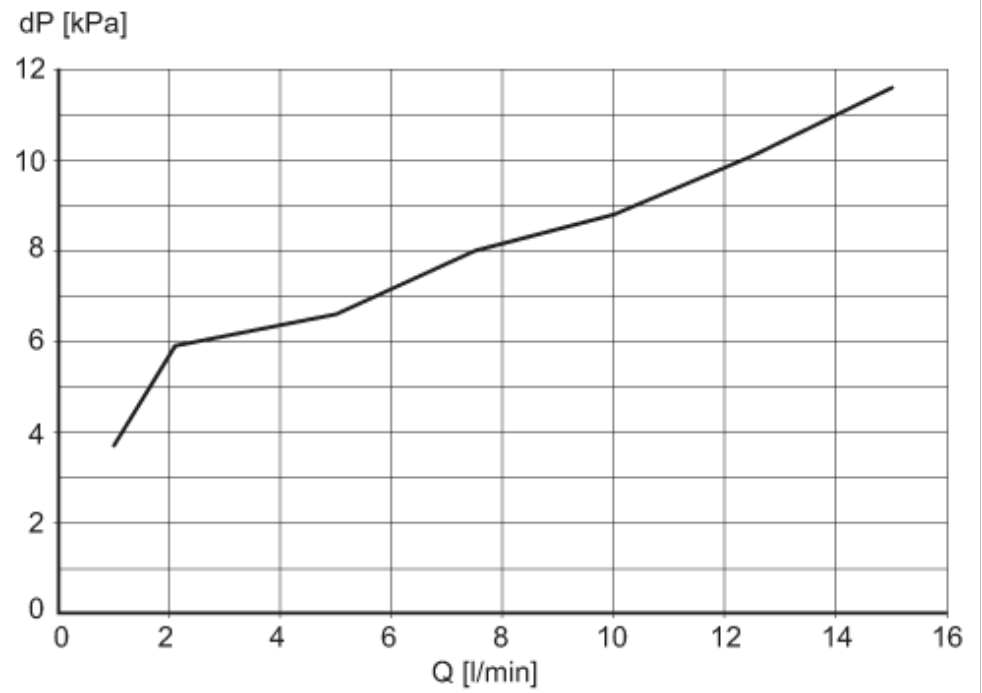


Flow sensor with fast response time

SBY34BF0BPKG/US

Diagrams and graphs

Pressure loss



dP Pressure loss

Q volumetric flow quantity