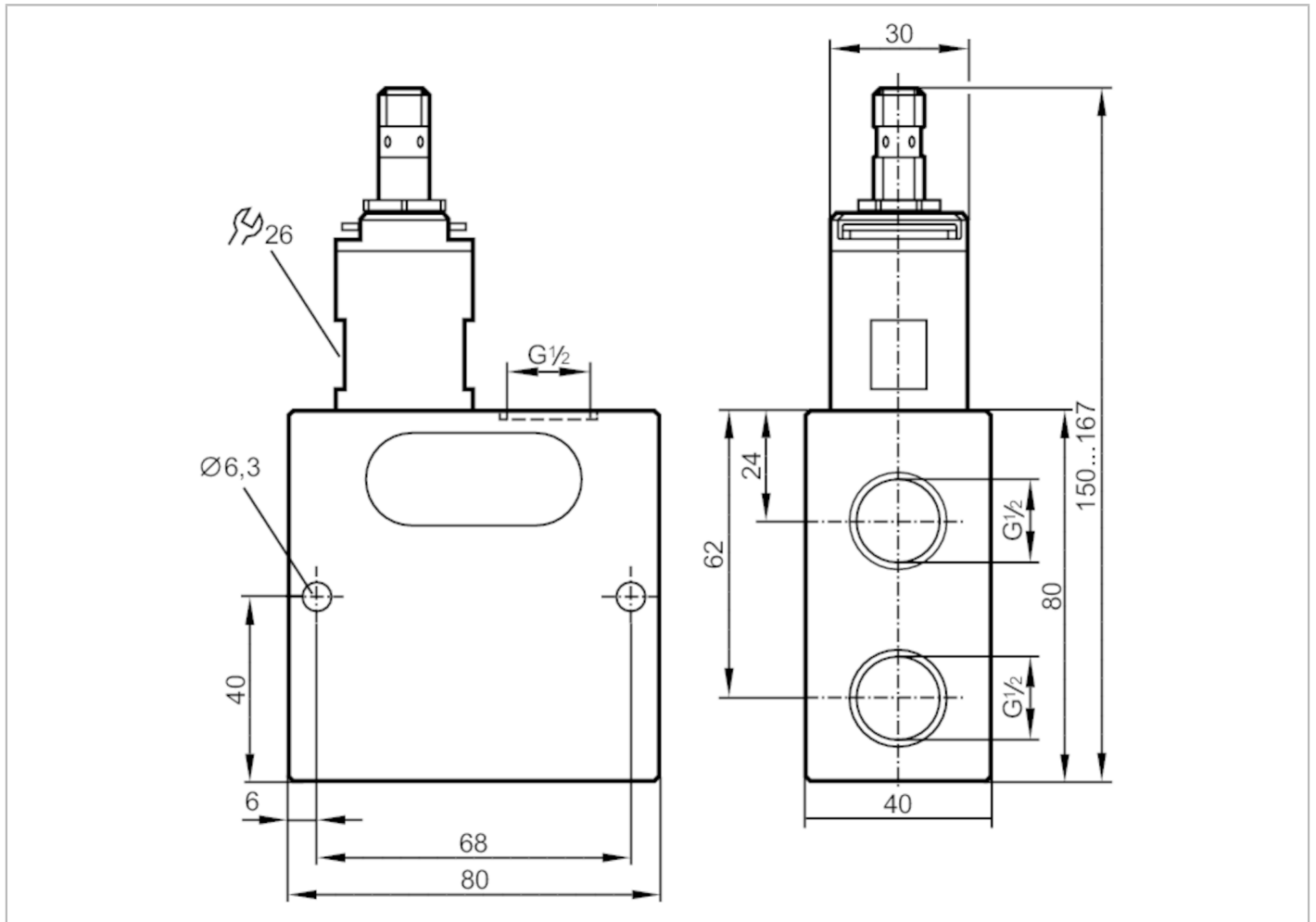


SBU324



Flow sensor with fast response time

SBU12DI0BPKG/US



Product characteristics	
Number of inputs and outputs	Number of digital outputs: 1
Process connection	threaded connection G 1/2 Internal thread
Application	
Application	Machine tools; Internal cooling of drill
Media	Liquids; water; glycol solutions; Coolants
Medium temperature [°C]	0...60
Pressure rating	200 bar / 20 MPa
Electrical data	
Operating voltage [V]	10...30 DC; (to SELV/PELV)
Current consumption [mA]	< 15
Protection class	III
Reverse polarity protection	yes
Inputs / outputs	
Number of inputs and outputs	Number of digital outputs: 1
Outputs	
Total number of outputs	1



Flow sensor with fast response time

SBU12DI0BPKG/US

Output signal	switching signal	
Electrical design	PNP	
Number of digital outputs	1	
Output function	normally open	
Max. voltage drop switching output DC [V]	2.5	
Permanent current rating of switching output DC [mA]	100	
Short-circuit protection	yes	
Overload protection	yes	
Measuring/setting range		
Flow range [l/min]	75	
Setting range [l/min]	0.3...50	
Accuracy / deviations		
Repeatability [% of the final value]	1	
Hysteresis [l/min]	0,1...1,5	
Measuring error [% of the final value]	± 5	
Reaction times		
Response time [s]	< 0.01	
Operating conditions		
Ambient temperature [°C]	0...60	
Storage temperature [°C]	-15...80	
Protection	IP 65; IP 67	
Tests / approvals		
EMC	DIN EN 61000-6-2	
	DIN EN 61000-6-3	
Shock resistance	DIN EN 60068-2-27	20 g (11 ms)
Vibration resistance	DIN EN 60068-2-6	5 g (10...2000 Hz)
MTTF [years]	15.78	
Mechanical data		
Weight [g]	764	
Housing	rectangular	
Dimensions [mm]	167 x 80 x 40	
Material	aluminum anodized; PA	
Materials (wetted parts)	stainless steel (1.4310 / 301); stainless steel (1.4301 / 304); aluminum anodized; PBT; PU; O-ring: FKM	
Process connection	threaded connection G 1/2 Internal thread	
Switching cycles mechanical	10 million	
Displays / operating elements		
Display	Switching status	4 x LED, yellow
Accessories		
Items supplied	sealing plug	

SBU324



Flow sensor with fast response time

SBU12DI0BPKG/US

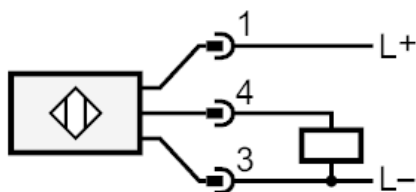
Remarks	
Remarks	Temperature changes affect the specified standard settings for coolants. For oils, the settings are influenced by temperature and viscosity. Recommendation Use 200 micron filtration All data refer to coolants (20 °C).
Pack quantity	1 pcs.

Electrical connection

Connector: 1 x M12; coding: A



Connection



Diagrams and graphs

