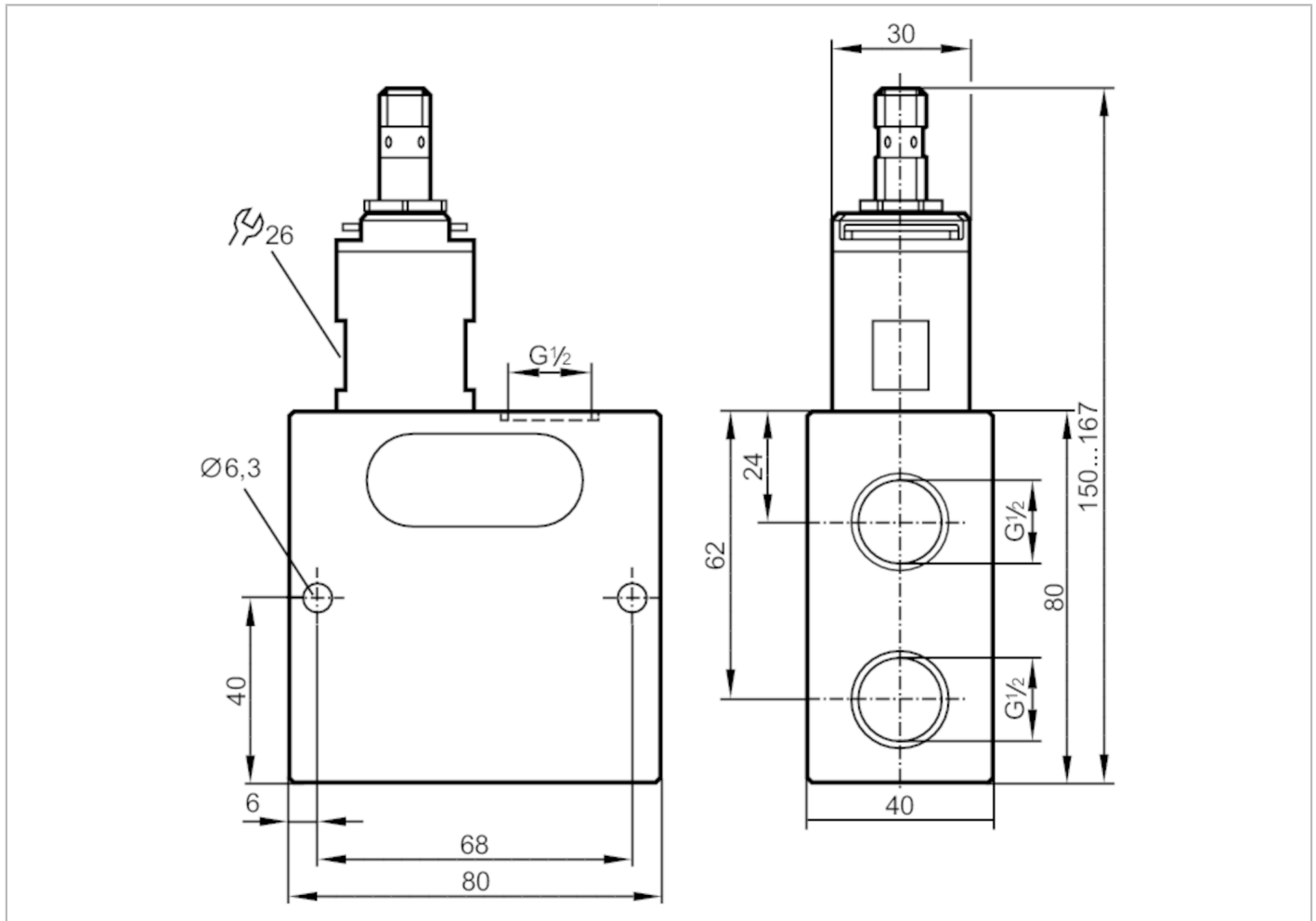


SBU323



Flow sensor with fast response time

SBU12DI0BPKG/US



Product characteristics	
Number of inputs and outputs	Number of digital outputs: 1
Process connection	threaded connection G 1/2 Internal thread
Application	
Application	Machine tools; Internal cooling of drill
Medium temperature [°C]	0...60
Pressure rating	200 bar 20 MPa
Electrical data	
Operating voltage [V]	10...30 DC; (to SELV/PELV)
Current consumption [mA]	< 15
Protection class	III
Reverse polarity protection	yes
Inputs / outputs	
Number of inputs and outputs	Number of digital outputs: 1
Outputs	
Total number of outputs	1
Output signal	switching signal

SBU323



Flow sensor with fast response time

SBU12DI0BPKG/US

Electrical design		PNP
Number of digital outputs		1
Output function		normally open
Max. voltage drop switching output DC	[V]	2.5
Permanent current rating of switching output DC	[mA]	100
Short-circuit protection		yes
Overload protection		yes
Measuring/setting range		
Flow range	[l/min]	75
Setting range	[l/min]	0.3...25
Accuracy / deviations		
Repeatability		1
	[% of the final value]	
Hysteresis	[l/min]	0,1...1
Measuring error		± 5
	[% of the final value]	
Reaction times		
Response time	[s]	< 0.01
Operating conditions		
Ambient temperature	[°C]	0...60
Storage temperature	[°C]	-15...80
Protection		IP 65; IP 67
Tests / approvals		
EMC	DIN EN 61000-6-2	
	DIN EN 61000-6-3	
Shock resistance	DIN EN 60068-2-27	20 g (11 ms)
Vibration resistance	DIN EN 60068-2-6	5 g (10...2000 Hz)
MTTF	[years]	15.78
Mechanical data		
Weight	[g]	767
Housing		rectangular
Dimensions	[mm]	167 x 80 x 40
Material		aluminum anodized; PA
Materials (wetted parts)		stainless steel (1.4310 / 301); stainless steel (1.4301 / 304); aluminum anodized; PBT; PU; O-ring: FKM
Process connection		threaded connection G 1/2 Internal thread
Switching cycles mechanical		10 million
Displays / operating elements		
Display	Switching status	4 x LED, yellow
Accessories		
Items supplied		sealing plug

SBU323



Flow sensor with fast response time

SBU12DI0BPKG/US

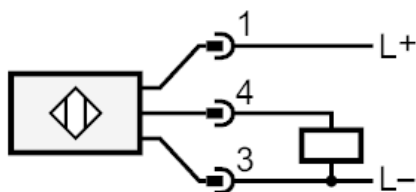
Remarks	
Remarks	Temperature changes affect the specified standard settings for coolants. For oils, the settings are influenced by temperature and viscosity. Recommendation Use 200 micron filtration All data refer to coolants (20 °C).
Pack quantity	1 pcs.

Electrical connection

Connector: 1 x M12; coding: A



Connection



Diagrams and graphs

