

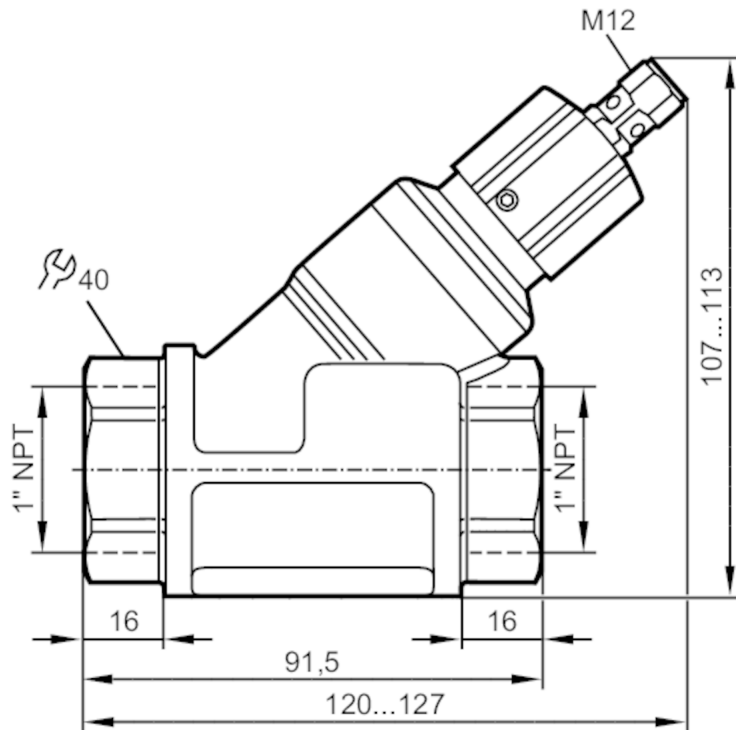
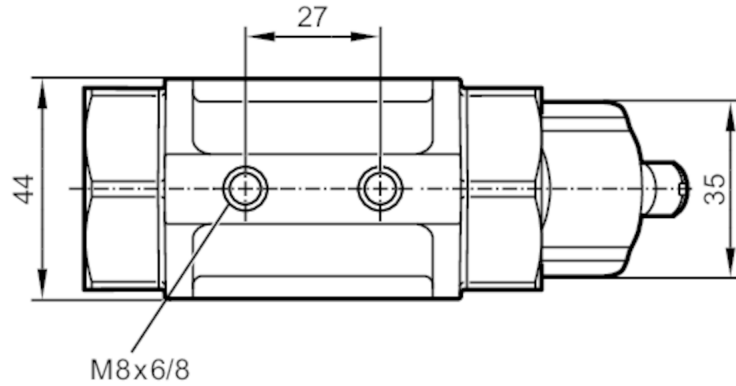
SBN346



Flow sensor with fast response time

SBY11BF0BPKG/US

Please note the changed housing design!



Product characteristics

Number of inputs and outputs	Number of digital outputs: 1
Process connection	threaded connection 1" NPT Internal thread

Application

Media	Liquids; water; glycol solutions; Coolants
Medium temperature [°F]	32...185
Pressure rating	25 bar 2.5 MPa

Electrical data

Operating voltage [V]	10...30 DC; (to SELV/PELV)
-----------------------	----------------------------



Flow sensor with fast response time

SBY11BF0BPKG/US

Current consumption	[mA]	< 15
Protection class		III
Reverse polarity protection		yes
Inputs / outputs		
Number of inputs and outputs		Number of digital outputs: 1
Outputs		
Total number of outputs		1
Output signal		switching signal
Electrical design		PNP
Number of digital outputs		1
Output function		normally open
Max. voltage drop switching output DC	[V]	2.5
Permanent current rating of switching output DC	[mA]	100
Short-circuit protection		yes
Overload protection		yes
Measuring/setting range		
Setting range	[gpm]	1.32...26.4
Accuracy / deviations		
Repeatability	[% of the final value]	1
Hysteresis	[gpm]	0,8...1,58
Measuring error	[% of the final value]	± 5
Reaction times		
Response time	[s]	< 0.01
Operating conditions		
Ambient temperature	[°F]	32...140
Storage temperature	[°F]	5...176
Protection		IP 65; IP 67
Tests / approvals		
EMC	DIN EN 61000-6-2	
	DIN EN 61000-6-3	
Shock resistance	DIN EN 60068-2-27	20 g (11 ms)
Vibration resistance	DIN EN 60068-2-6	5 g (10...2000 Hz)
MTTF	[years]	3318
Mechanical data		
Weight	[g]	1088.45
Material		brass chemically nickel-plated; PPS; aluminum anodized; PA
Materials (wetted parts)		stainless steel (1.4310 / 301); stainless steel (1.4301 / 304); PBT; brass chemically nickel-plated; PP; PPS; Polyolefin; O-ring: FKM
Process connection		threaded connection 1" NPT Internal thread
Switching cycles mechanical		10 million

SBN346



Flow sensor with fast response time

SBY11BF0BPKG/US

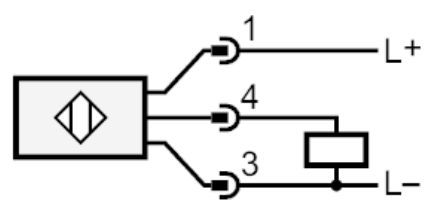
Displays / operating elements		
Display	Switching status	4 x LED, yellow
Accessories		
Items supplied	Allen key	
Remarks		
Remarks	Caution Do not turn the cap beyond the maximum value of the setting range. All data refer to water (68 °F).	
Notes	Please note the changed housing design!	
Pack quantity	1 pcs.	

Electrical connection

Connector: 1 x M12; coding: A

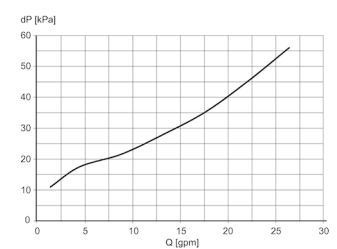


Connection



Diagrams and graphs

Pressure loss



dP Pressure loss
Q volumetric flow quantity