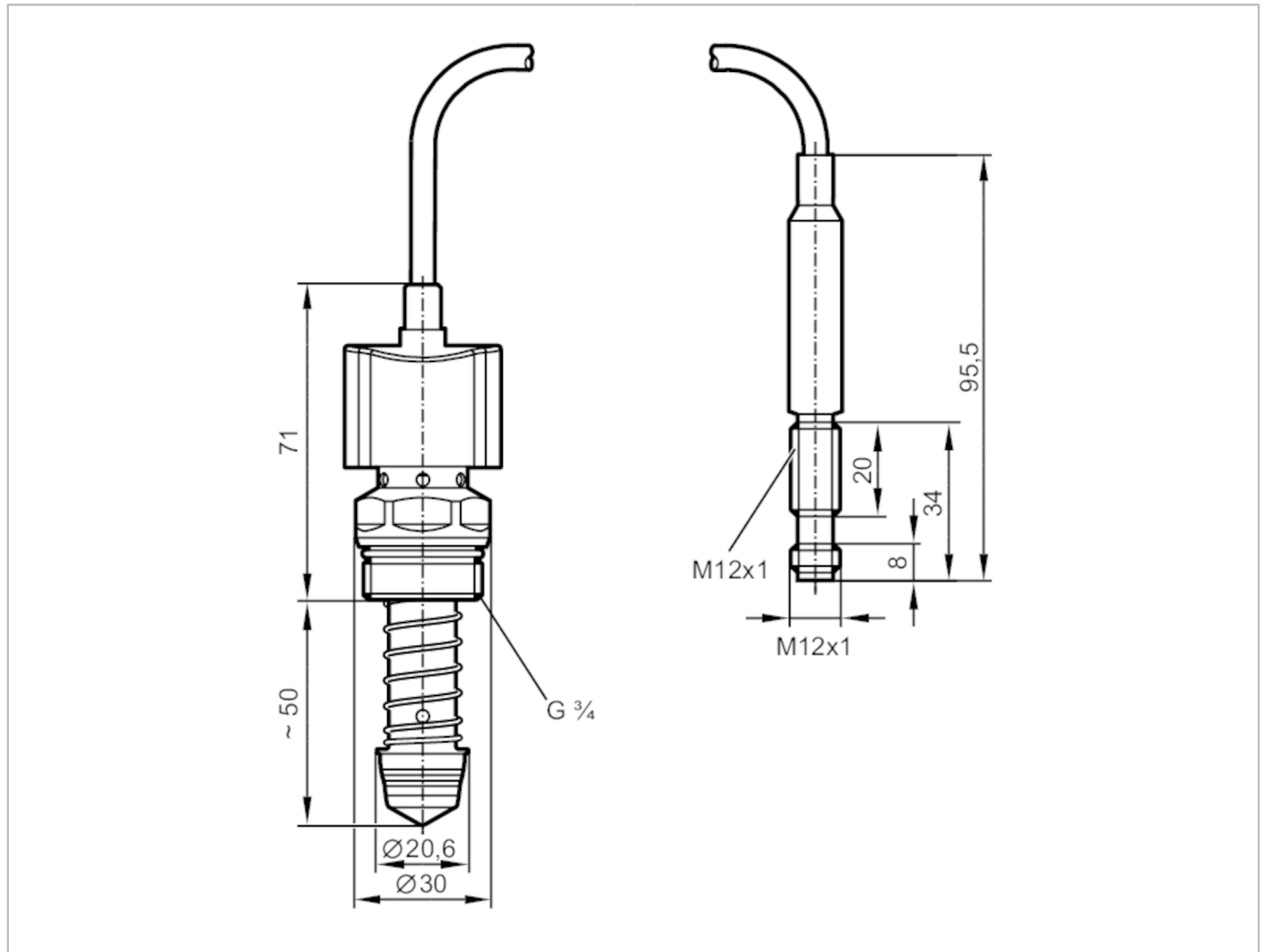


SBM613



Measurement insert for flow transmitters with fast response time

SBM34XKX10KG/O/US



Product characteristics

Measuring range	[l/min]	0.3...25
Process connection		threaded connection G 3/4 external thread

Application

Media		Liquids; water; glycol solutions
Medium temperature	[°C]	10...180
Pressure rating	15 bar	1.5 MPa
Note on pressure rating		at max. medium temperature at temperatures up to 85 °C: 25 bar / 2,5 MPa

Electrical data

Operating voltage tolerance	[%]	-15...10
Operating voltage	[V]	24 DC; (to SELV/PELV)
Current consumption	[mA]	< 35
Protection class		III
Reverse polarity protection		yes

SBM613



Measurement insert for flow transmitters with fast response time

SBM34XKX10KG/O/US

Outputs	
Output signal	analog signal
Analog current output [mA]	4...20
Max. load [Ω]	500
Short-circuit protection	yes
Overload protection	yes
Measuring/setting range	
Measuring range [l/min]	0.3...25
Accuracy / deviations	
Repeatability [% of the final value]	1
Measuring error [% of the final value]	± 5
Reaction times	
Response time [s]	< 0.01
Operating conditions	
Ambient temperature [$^{\circ}\text{C}$]	0...60
Storage temperature [$^{\circ}\text{C}$]	-15...80
Protection	IP 65; IP 67
Tests / approvals	
EMC	DIN EN 61000-6-2 DIN EN 61000-6-3
Shock resistance	DIN EN 60068-2-27 20 g (11 ms)
Vibration resistance	DIN EN 60068-2-6 5 g (10...2000 Hz)
MTTF [years]	1380
Mechanical data	
Weight [g]	285
Housing	tubular
Dimensions [mm]	$\varnothing 35 / L = 121$
Material	brass white bronze coated; PPS; copper alloy; aluminum anodized; silicone; PEI
Materials (wetted parts)	stainless steel (1.4401 / 316); brass; PPS; O-ring: FKM
Tightening torque [Nm]	15
Process connection	threaded connection G 3/4 external thread
Switching cycles mechanical	10 million
Remarks	
Remarks	All data refer to water (20 $^{\circ}\text{C}$). Recommendation Use 200 micron filtration
Pack quantity	1 pcs.

SBM613



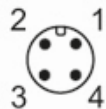
Measurement insert for flow transmitters with fast response time

SBM34XKX10KG/O/US

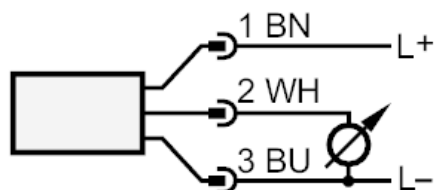
Electrical connection - plug

Cable: 0.3 m, silicone

Connector: 1 x M12; coding: A



Connection



Colors to DIN EN 60947-5-2

Core colors :

- BN = brown
- BU = blue
- WH = white

Diagrams and graphs

