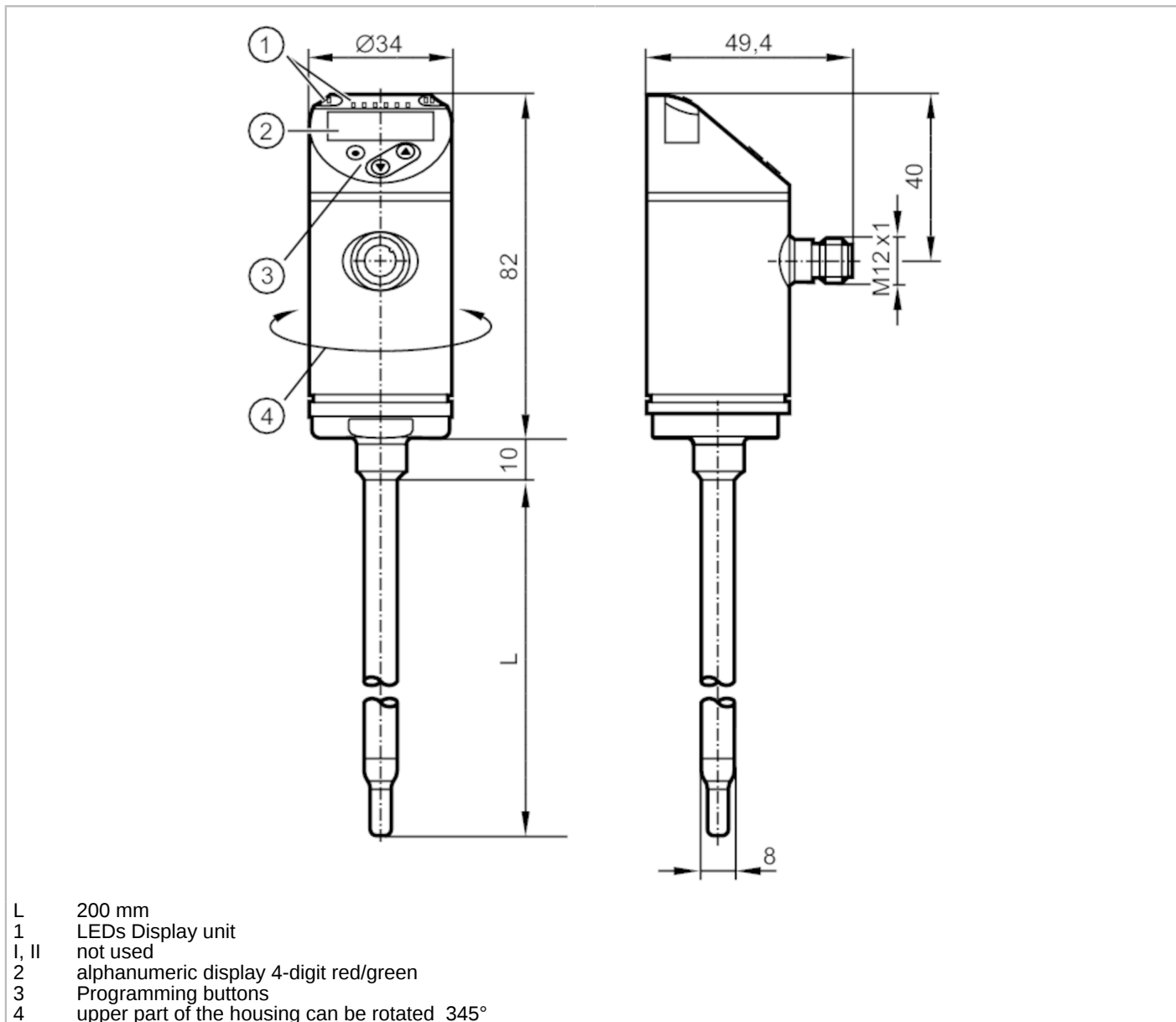


SA4304



Flow sensor

SAEXXXB50KG/US-100



ACS CE CRN cUL^{us} LISTED EC 1935/2004 FCM FDA KTW/W270 Reg31 UK CA

Product characteristics	
Number of inputs and outputs	Number of analog outputs: 2
Process connection	Clamp fitting Ø 8 mm
Application	
System	gold-plated contacts
Media	water; glycol solutions; air; oils
Note on media	low-viscosity oils with viscosity: ≤ 40 mm ² /s (40 °C) high-viscosity oils with viscosity: > 40 mm ² /s (40 °C)
Medium temperature [°C]	-20...100
Pressure rating	50 bar 5 MPa
MAWP (for applications according to CRN) [bar]	50

SA4304



Flow sensor

SAEXXXB50KG/US-100

Electrical data		
Operating voltage	[V]	18...30 DC
Current consumption	[mA]	< 100
Protection class		III
Reverse polarity protection		yes
Power-on delay time	[s]	10
Measuring principle		calorimetric
Inputs / outputs		
Number of inputs and outputs		Number of analog outputs: 2
Outputs		
Total number of outputs		2
Output signal		analog signal
Number of analog outputs		2
Analog current output	[mA]	4...20; (scalable)
Max. load	[Ω]	350
Short-circuit protection		yes
Type of short-circuit protection		yes (non-latching)
Overload protection		yes
Measuring/setting range		
Probe length L	[mm]	200
Operating mode		relative; absolutely liquid; absolutely gaseous; (absolute: reference measurement recommended; Factory setting: relative)
Temperature monitoring		
Measuring range	[°C]	-20...100
Resolution	[°C]	0.2
Analog start point	[°C]	-20...76
Analog end point	[°C]	4...100
In steps of	[°C]	0.2
Liquid media - absolute operating mode		
Setting range	[m/s]	0.04...3
Greatest sensitivity	[m/s]	0.04...3
Liquid media - relative operating mode		
Setting range	[m/s]	0.04...6
Greatest sensitivity	[m/s]	0.04...3
Gases - operating mode "absolute"		
Setting range	[m/s]	2...100
Greatest sensitivity	[m/s]	30...100
Gases - operating mode "relative"		
Setting range	[m/s]	2...200
Greatest sensitivity	[m/s]	30...100
Accuracy / deviations		
Temperature drift	[cm/s x 1/K]	0,003 m/s x 1/K (< 20 °C; > 70 °C)

SA4304



Flow sensor

SAEXXXB50KG/US-100

Max. temperature gradient of [K/min] medium	100
Absolute operating mode	
Repeatability	0,05 m/s; (water; Flow velocity: 0,05...3 m/s)
Relative operating mode	
Accuracy	± (7 % MW + 2 % MEW); (for relative mode in the range of maximum sensitivity under the following conditions:; water: 20...70 °C; inlet length: 1.5 m; DN25 (DIN 2448); mounting position according to instructions; Accuracy can differ for other media and mounting positions.)
Repeatability	0,05 m/s; (water; Flow velocity: 0,05...3 m/s)
Temperature monitoring	
Temperature drift	± 0,005 K/°C
Accuracy [K]	± 0,3 / ± 1; (water; Flow velocity: 0,3...3 m/s / air; Flow velocity: > 10 m/s)
Reaction times	
Response time [s]	0.5; (T09; water; glycol: 0,8 s; air: 7 s; oil: 1,8 s; each T09)
Temperature monitoring	
Dynamic response T05 / T09 [s]	1,5 (T09); (water; Flow velocity: 0,3...3 m/s)
Software / programming	
Parameter setting options	medium selection; Damping; Teach function; display can be rotated and switched off; standard unit of measurement; process value color
Operating conditions	
Ambient temperature [°C]	-40...80
Storage temperature [°C]	-40...100
Protection	IP 65; IP 67
Tests / approvals	
EMC	DIN EN 60947-5-9
Shock resistance	DIN EN 60068-2-27 50 g (11 ms)
Vibration resistance	DIN EN 60068-2-6 2 g (10...2000 Hz)
MTTF [years]	180
UL approval	UL approval number I018 File number UL E174189
Mechanical data	
Weight [g]	312.5
Housing	tubular
Dimensions [mm]	Ø 8 / L = 292
Material	stainless steel (1.4404 / 316L); PBT-GF20; PBT-GF30
Materials (wetted parts)	stainless steel (1.4404 / 316L)
Process connection	Clamp fitting Ø 8 mm
Displays / operating elements	
Display	Display unit 6 x LED, green (% , m/s, l/min, m ³ /h, °C, 10 ³) Measured values alphanumeric display, red/green 4-digit
Remarks	
Remarks	MW = Measured value MEW = Final value of the measuring range
Pack quantity	1 pcs.

SA4304



Flow sensor

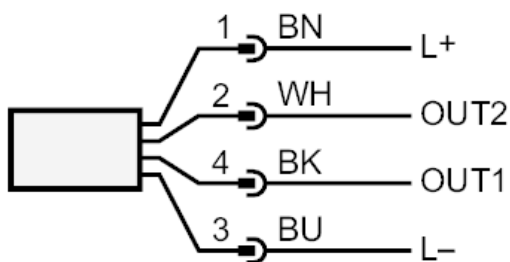
SAEXXXB50KG/US-100

Electrical connection

Connector: 1 x M12; coding: A; Contacts: gold-plated



Connection



OUT1: analog output Temperature monitoring
OUT2: analog output Volumetric flow quantity monitoring
Core colors :
BK = black
BN = brown
BU = blue
WH = white