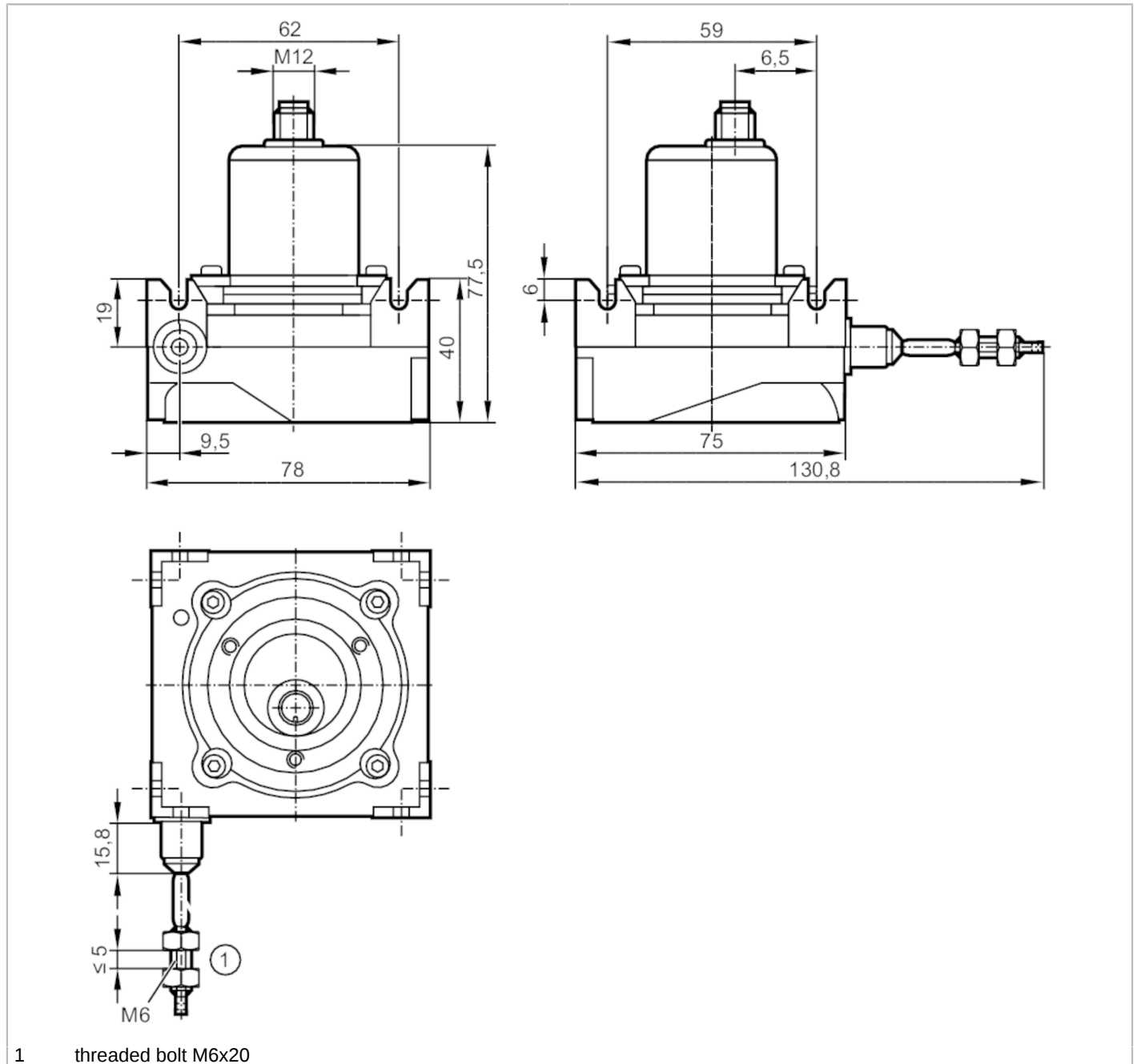


RMS002



Draw wire encoder

DRAW WIRE ENCODER



Product characteristics	
Resolution	8192 steps; 16 revolutions; 17 bit
Application	
Function principle	absolute
Detection system	magnetic
Application	encoder
Electrical data	
Operating voltage [V]	8...32 DC
Current consumption [mA]	< 20

RMS002



Draw wire encoder

DRAW WIRE ENCODER

Protection class	III	
Reverse polarity protection	yes	
Max. power-on delay time [ms]	500	
Settling time [ms]	32	
Inputs / outputs		
Number of inputs and outputs	Number of analog outputs: 1	
Outputs		
Number of analog outputs	1	
Analog current output [mA]	4...20	
Max. load [Ω]	500	
Precision analog output [%]	0,1	
Measuring/setting range		
Resolution	8192 steps; 16 revolutions; 17 bit	
Accuracy / deviations		
Accuracy	± 0.012 % FSO	
Repeatability	$\pm 0,005$ % FSO	
Software / programming		
Parameter setting options	start position; end position; central position	
Operating conditions		
Ambient temperature [$^{\circ}\text{C}$]	-40...80	
Storage temperature [$^{\circ}\text{C}$]	-40...80	
Max. relative air humidity [%]	95; (Condensation not permissible)	
Protection	IP 64; (on the housing: IP 65)	
Tests / approvals		
MTTF [years]	241	
Mechanical data		
Weight [g]	696	
Housing	tubular	
Material	housing: steel; wire drum: diecast zinc / plastic; wire: stainless steel polyamide coated	
Max. measuring length [mm]	3000	
Wire drum circumference [mm]	200	
Wire diameter [mm]	0.87	
Wire connection	threaded bolt M6x20; eyelet \varnothing 2 mm	
Wire properties	max. speed of wire displacement [m /s]	0,8
	max. wire acceleration [g]	1
	max. extension force [N]	3
	max. retraction force [N]	2,5
Remarks		
Pack quantity	1 pcs.	

RMS002

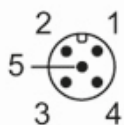


Draw wire encoder

DRAW WIRE ENCODER

Electrical connection

Connector: 1 x M12, for axial use; coding: A



- 1 L+
- 2 analog output
- 3 L-
- 4 Set2
- 5 Set1