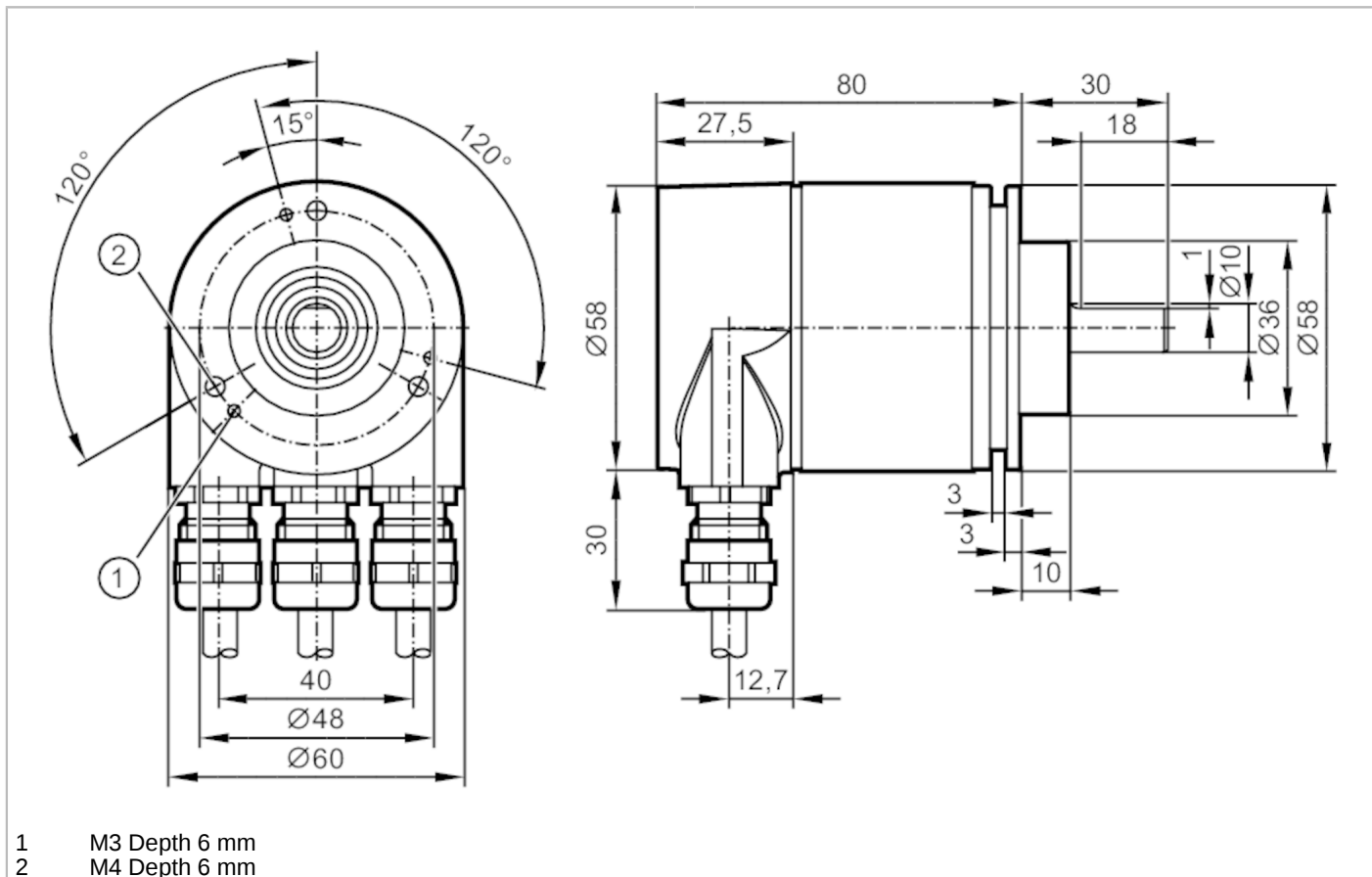


# RM3007



## Absolute multiturn encoder with solid shaft

RMK0025-E24/E



Product characteristics	
Resolution	8192 steps; 4096 revolutions; 25 bit
Communication interface	PROFIBUS DP
Shaft design	solid shaft
Shaft diameter [mm]	10
Application	
Function principle	absolute
Revolution type	multiturn
Electrical data	
Operating voltage [V]	10...30 DC
Current consumption [mA]	100; ((24 V))
Reverse polarity protection	yes
Outputs	
Code	binary
Measuring/setting range	
Resolution	8192 steps; 4096 revolutions; 25 bit
Software / programming	
Parameter setting options	counting direction of the code values; Resolution; Zero point; limit switches HI and LO; motion indicator; separation multiturn/singleturn

# RM3007



## Absolute multiturn encoder with solid shaft

RMK0025-E24/E

Diagnostic functions	alarms; warnings; status; serial number of the encoder
Addressing	address selector switch; 0...126

### Interfaces

Communication interface	PROFIBUS DP
PROFIBUS DP	
Transmission standard	DPV2

### Operating conditions

Ambient temperature	[°C]	-40...85
Max. relative air humidity	[%]	98
Protection	IP 67; (on the housing: IP 67; on the shaft: IP 67)	

### Tests / approvals

Shock resistance	100 g (6 ms)	
Vibration resistance	10 g (10...2000 Hz)	
MTTF	[years]	13.5

### Mechanical data

Weight	[g]	596
Housing	tubular	
Dimensions	[mm]	Ø 58 / L = 110
Material	aluminum	
Max. revolution, mechanical	[U/min]	12000
Shaft design	solid shaft	
Shaft diameter	[mm]	10
Shaft material	steel (1.4104)	
Max. shaft load axial (at the shaft end)	[N]	40
Max. shaft load radial (at the shaft end)	[N]	110
Fixing flange	Clamping flange	

### Remarks

Pack quantity	1 pcs.
---------------	--------

### Electrical connection

Terminal strip in the terminal chamber: