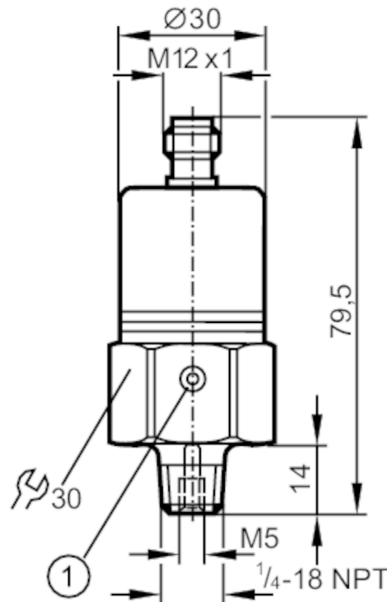


# PX9119



## Pressure transmitter with ceramic measuring cell

PA-0-1PRBN14-B-DVG/US/ IV



1 ventilation



### Product characteristics

|                              |   |              |
|------------------------------|---|--------------|
| Number of inputs and outputs | Number of analog outputs: 1                                     |              |
| Measuring range              | -14.5...0 psi   | -100...0 kPa |
| Process connection           | threaded connection 1/4" NPT external thread Internal thread:M5 |              |

### Application

|                         |                             |         |
|-------------------------|-----------------------------|---------|
| System                  | gold-plated contacts        |         |
| Application             | for industrial applications |         |
| Media                   | liquids and gases           |         |
| Medium temperature [°C] | -25...90                    |         |
| Min. burst pressure     | 450 psi                     | 3.1 MPa |
| Pressure rating         | 145 psi                     | 1 MPa   |
| Type of pressure        | relative pressure; vacuum   |         |

### Electrical data

|                                 |                 |  |
|---------------------------------|-----------------|--|
| Operating voltage [V]           | 16...32 DC      |  |
| Current consumption [mA]        | < 18            |  |
| Min. insulation resistance [MΩ] | 100; (500 V DC) |  |
| Protection class                | III             |  |
| Reverse polarity protection     | yes             |  |

### Inputs / outputs

|                              |                             |  |
|------------------------------|-----------------------------|--|
| Number of inputs and outputs | Number of analog outputs: 1 |  |
|------------------------------|-----------------------------|--|

### Outputs

|                          |               |  |
|--------------------------|---------------|--|
| Total number of outputs  | 1             |  |
| Output signal            | analog signal |  |
| Number of analog outputs | 1             |  |

# PX9119



## Pressure transmitter with ceramic measuring cell

PA-0-1PRBN14-B-DVG/US/ IV

|                       |     |        |
|-----------------------|-----|--------|
| Analog voltage output | [V] | 10...0 |
| Min. load resistance  | [Ω] | 2000   |
| Overload protection   |     | yes    |

### Measuring/setting range

|                 |               |              |
|-----------------|---------------|--------------|
| Measuring range | -14.5...0 psi | -100...0 kPa |
|-----------------|---------------|--------------|

### Accuracy / deviations

|                                    |                        |   |
|------------------------------------|------------------------|---|
| Repeatability                      | [% of the span]        | < 0,1; (with temperature fluctuations < 10 K)   |
| Characteristics deviation          | [% of the span]        | < ± 0,25 (BFSL) / < ± 0,5 (LS); (BFSL = Best Fit Straight Line; LS = limit value setting) |
| Long-term stability                | [% of the span]        | < ± 0,05; (per 6 months)  |
| Temperature coefficient zero point | [% of the span / 10 K] | 0,15; (0...80 °C)   |
| Temperature coefficient span       | [% of the span / 10 K] | 0,2; (0...80 °C)  |

### Reaction times

|                                  |      |   |
|----------------------------------|------|---|
| Step response time analog output | [ms] | 3 |
|----------------------------------|------|---|

### Operating conditions

|                     |      |           |
|---------------------|------|-----------|
| Ambient temperature | [°C] | -25...80  |
| Storage temperature | [°C] | -40...100 |
| Protection          |      | IP 65     |

### Tests / approvals

|                              |                               |   |
|------------------------------|-------------------------------|---|
| EMC                          | EN 61000-4-2 ESD              | 4 kV CD / 8 kV AD   |
|                              | EN 61000-4-3 HF radiated      | 30 V/m  |
|                              | EN 61000-4-4 Burst            | 2 kV  |
|                              | EN 61000-4-6 HF conducted     | 10 V  |
|                              | radiation of interference     | according to the automotive directive 2004/104/EC / CISPR 25                          |
|                              | noise immunity                | according to the automotive directive 2004/104/EC / ISO 11452-2                       |
|                              | HF radiated                   | 100 V/m   |
| pulse resistance             | ISO 7637-2 / severity level 3 |   |
| Shock resistance             | DIN IEC 68-2-27               | 50 g (11 ms)  |
| Vibration resistance         | DIN IEC 68-2-6                | 20 g (10...2000 Hz)   |
| MTTF                         | [years]                       | 531   |
| Pressure equipment directive |                               | sound engineering practice; can be used for group 2 fluids; group 1 fluids on request |

### Mechanical data

|                          |      |   |
|--------------------------|------|---|
| Weight                   | [g]  | 212.5   |
| Housing                  |      | tubular   |
| Dimensions               | [mm] | Ø 30 / L = 79.5   |
| Material                 |      | stainless steel (1.4404 / 316L); FKM; PA; EPDM/X                |
| Materials (wetted parts) |      | stainless steel (1.4305 / 303); ceramics; FKM                   |
| Min. pressure cycles     |      | 100 million   |
| Process connection       |      | threaded connection 1/4" NPT external thread Internal thread:M5 |

# PX9119



## Pressure transmitter with ceramic measuring cell

PA-0-1PRBN14-B-DVG/US/ IV

Restrictor element integrated

no (can be retrofitted)

### Remarks

Pack quantity

1 pcs.

### Electrical connection

Connector: 1 x M12; coding: A; Contacts: gold-plated



### Connection

