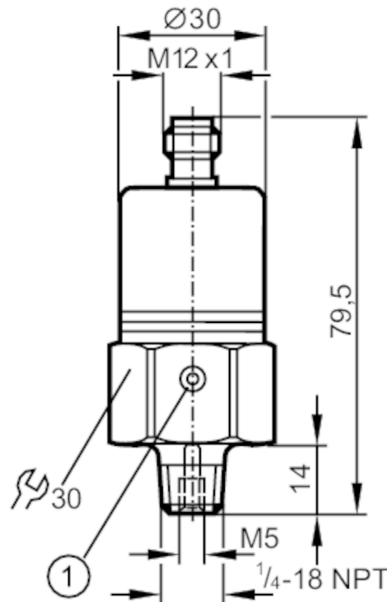


PX9114



Pressure transmitter with ceramic measuring cell

PA-010PRBN14-B-DVG/US/ IV



1 ventilation



Product characteristics

| | | |
|------------------------------|---|-------------|
| Number of inputs and outputs | Number of analog outputs: 1 | |
| Measuring range | 0...100 psi | 0...690 kPa |
| Process connection | threaded connection 1/4" NPT external thread Internal thread:M5 | |

Application

| | | |
|-------------------------|-----------------------------|---------|
| System | gold-plated contacts | |
| Application | for industrial applications | |
| Media | liquids and gases | |
| Medium temperature [°C] | -25...90 | |
| Min. burst pressure | 2175 psi | 15 MPa |
| Pressure rating | 1087 psi | 7.5 MPa |
| Type of pressure | relative pressure | |

Electrical data

| | | |
|---------------------------------|-----------------|--|
| Operating voltage [V] | 16...32 DC | |
| Current consumption [mA] | < 18 | |
| Min. insulation resistance [MΩ] | 100; (500 V DC) | |
| Protection class | III | |
| Reverse polarity protection | yes | |

Inputs / outputs

| | | |
|------------------------------|-----------------------------|--|
| Number of inputs and outputs | Number of analog outputs: 1 | |
|------------------------------|-----------------------------|--|

Outputs

| | | |
|--------------------------|---------------|--|
| Total number of outputs | 1 | |
| Output signal | analog signal | |
| Number of analog outputs | 1 | |

PX9114



Pressure transmitter with ceramic measuring cell

PA-010PRBN14-B-DVG/US/ IV

| | | |
|-----------------------|-----|--------|
| Analog voltage output | [V] | 0...10 |
| Min. load resistance | [Ω] | 2000 |
| Overload protection | | yes |

Measuring/setting range

| | | |
|-----------------|-------------|-------------|
| Measuring range | 0...100 psi | 0...690 kPa |
|-----------------|-------------|-------------|

Accuracy / deviations

| | | |
|------------------------------------|------------------------|--|
| Repeatability | [% of the span] | < 0,15; (with temperature fluctuations < 10 K) |
| Characteristics deviation | [% of the span] | < ± 0,35 (BFSL) / < ± 0,75 (LS); (BFSL = Best Fit Straight Line; LS = limit value setting) |
| Long-term stability | [% of the span] | < ± 0,05; (per 6 months) |
| Temperature coefficient zero point | [% of the span / 10 K] | 0,2; (0...80 °C) |
| Temperature coefficient span | [% of the span / 10 K] | 0,3; (0...80 °C) |

Reaction times

| | | |
|----------------------------------|------|---|
| Step response time analog output | [ms] | 3 |
|----------------------------------|------|---|

Operating conditions

| | | |
|---------------------|------|-----------|
| Ambient temperature | [°C] | -25...80 |
| Storage temperature | [°C] | -40...100 |
| Protection | | IP 65 |

Tests / approvals

| | | |
|------------------------------|-------------------------------|---|
| EMC | EN 61000-4-2 ESD | 4 kV CD / 8 kV AD |
| | EN 61000-4-3 HF radiated | 30 V/m |
| | EN 61000-4-4 Burst | 2 kV |
| | EN 61000-4-6 HF conducted | 10 V |
| | radiation of interference | according to the automotive directive 2004/104/EC / CISPR 25 |
| | noise immunity | according to the automotive directive 2004/104/EC / ISO 11452-2 |
| | HF radiated | 100 V/m |
| pulse resistance | ISO 7637-2 / severity level 3 | |
| Shock resistance | DIN IEC 68-2-27 | 50 g (11 ms) |
| Vibration resistance | DIN IEC 68-2-6 | 20 g (10...2000 Hz) |
| MTTF | [years] | 531 |
| Pressure equipment directive | | sound engineering practice; can be used for group 2 fluids; group 1 fluids on request |

Mechanical data

| | | |
|--------------------------|------|---|
| Weight | [g] | 212 |
| Housing | | tubular |
| Dimensions | [mm] | Ø 30 / L = 79.5 |
| Material | | stainless steel (1.4404 / 316L); FKM; PA; EPDM/X |
| Materials (wetted parts) | | stainless steel (1.4305 / 303); ceramics; FKM |
| Min. pressure cycles | | 100 million |
| Process connection | | threaded connection 1/4" NPT external thread Internal thread:M5 |

PX9114



Pressure transmitter with ceramic measuring cell

PA-010PRBN14-B-DVG/US/ IV

Restrictor element integrated

no (can be retrofitted)

Remarks

Pack quantity

1 pcs.

Electrical connection

Connector: 1 x M12; coding: A; Contacts: gold-plated



Connection

