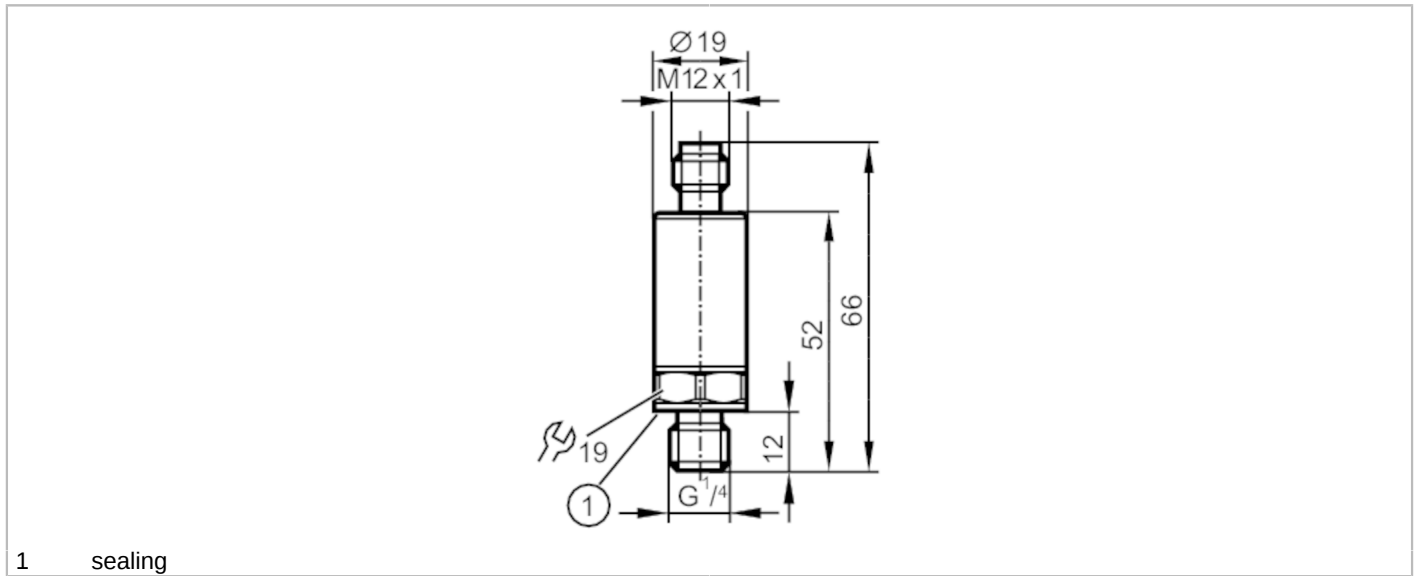


PV8060



Pressure switch with IO-Link

PV-600-SEG14-UFRVG/US



Product characteristics

Number of inputs and outputs	Number of digital outputs: 2		
Measuring range	0...600 bar	0...8700 psi	0...60 MPa
Process connection	threaded connection G 1/4 external thread (DIN EN ISO 1179-2); Internal thread:M5		

Application

Measuring element	metallic thin film cell		
Application	for industrial applications		
Media	liquids and gases		
Medium temperature [°C]	-40...90		
Min. burst pressure	2500 bar	36255 psi	250 MPa
Pressure rating	1500 bar	21755 psi	150 MPa
Note on pressure rating	static		
Vacuum resistance	-1000 mbar	-0.1 MPa	
Type of pressure	relative pressure		

Electrical data

Operating voltage [V]	18...30 DC		
Current consumption [mA]	< 15		
Min. insulation resistance [MΩ]	100; (500 V DC)		
Protection class	III		
Reverse polarity protection	yes		
Power-on delay time [s]	< 0.3		

Inputs / outputs

Number of inputs and outputs	Number of digital outputs: 2		
------------------------------	------------------------------	--	--

Outputs

Total number of outputs	2		
Output signal	switching signal; IO-Link; (configurable)		
Electrical design	PNP/NPN		
Number of digital outputs	2		

PV8060



Pressure switch with IO-Link

PV-600-SEG14-UFRVG/US

Output function		normally open / closed; (configurable)
Max. voltage drop switching output DC	[V]	2
Permanent current rating of switching output DC	[mA]	100
Switching frequency DC	[Hz]	< 130
Short-circuit protection		yes
Type of short-circuit protection		yes (non-latching)
Overload protection		yes

Measuring/setting range			
Measuring range	0...600 bar	0...8700 psi	0...60 MPa
Set point SP	6...600 bar	87...8702 psi	0.6...60 MPa
Reset point rP	3.1...597.1 bar	44...8660 psi	0.31...59.71 MPa
In steps of	0.1 bar	1 psi	0.01 MPa
Factory setting	SP1 = 150 bar	rP1 = 138 bar	ou1 = Hno;
	SP2 = 450 bar	rP2 = 438 bar	ou2 = Hno;
	dS1/dS2 = 0 ms	dr1/dr2 = 0 ms	
	coF = 0 %	P-n = PnP	dAP= 60 ms

Temperature monitoring		
Measuring range	-40...90 °C	-40...194 °F
Set point SP	-38...90 °C	-36.4...194 °F
Reset point rP	-40...88 °C	-40...190.4 °F
In steps of	0.1 °C	0.1 °F

Accuracy / deviations	
Switch point accuracy [% of the span]	< ± 0,5 (nach DIN EN 61298-2)
Repeatability [% of the span]	< ± 0,05; (with temperature fluctuations < 10 K)
Characteristics deviation [% of the span]	< ± 0,5; (linearity incl. hysteresis and repeatability, limit value setting to DIN EN IEC 62828-1)
Linearity deviation [% of the span]	< ± 0,1 (BFSL) / < ± 0,2 (LS)
Hysteresis deviation [% of the span]	< ± 0,2
Long-term stability [% of the span]	< ± 0,1; (per 6 months)
Temperature coefficient zero point [% of the span / 10 K]	< 0,1 (-25...90 °C) / < 0,2 (-40...-25 °C)
Temperature coefficient span [% of the span / 10 K]	< 0,1 (-25...90 °C) / < 0,2 (-40...-25 °C)

Temperature monitoring	
Accuracy [K]	± 2 K + (0.1 x (ambient temperature - medium temperature))
Notes on the accuracy / deviation	temperature range -10 to 80 °C

Reaction times	
Response time [ms]	< 3

PV8060



Pressure switch with IO-Link

PV-600-SEG14-UFRVG/US

Temperature monitoring		
Dynamic response T05 / T09	[s]	< 80 / < 210 (under ifm reference conditions)
Software / programming		
Parameter setting options	hysteresis / window; normally open / closed; switching logic; switch-on/switch-off delay; Damping	
Interfaces		
Communication interface	IO-Link	
Transmission type	COM2 (38,4 kBaud)	
IO-Link revision	1.1	
SDCI standard	IEC 61131-9	
Profiles	Common - I&D	Identification and Diagnosis
	Function	Measurement data, standard resolution
SIO mode	yes	
Required master port class	A	
Process data analog	5	
Process data binary	2	
Min. process cycle time	[ms]	4.5
IO-Link resolution pressure	[bar]	0.2
IO-Link resolution temperature	[K]	0.2
IO-Link process data (cyclical)	Function	bit length
	pressure	16
	temperature	16
	device status	4
	binary switching information	2
IO-Link functions (acyclical)	application specific tag; internal temperature; operating hours counter; switching cycles counter; Pressure peak counter; Temperature peak counter	
Supported DeviceIDs	Type of operation	DeviceID
	default	1216
Operating conditions		
Ambient temperature	[°C]	-40...90
Storage temperature	[°C]	-40...100
Protection	IP 67; IP 69K	
Tests / approvals		
EMC	DIN EN 61326-1	
Shock resistance	DIN EN 60068-2-27	500 g (1 ms)
Vibration resistance	DIN EN 60068-2-6	20 g (10...2000 Hz)
UL approval	UL approval number	J038
	File number UL	E174189
Pressure equipment directive	Modul A; can be used for group 2 fluids; group 1 fluids on request	
Mechanical data		
Weight	[g]	57
Housing	tubular	
Dimensions	[mm]	Ø 19 / L = 66
Material	stainless steel (630/1.4542/17-4 PH); stainless steel (1.4404 / 316L); PEI	
Materials (wetted parts)	stainless steel (1.4305 / 303); stainless steel (630/1.4542/17-4 PH)	

PV8060



Pressure switch with IO-Link

PV-600-SEG14-UFRVG/US

Min. pressure cycles	60 million; (at 1.2 times nominal pressure)
Tightening torque [Nm]	25...35; (recommended tightening torque; Depends on lubrication, seal and pressure rating)
Process connection	threaded connection G 1/4 external thread (DIN EN ISO 1179-2); Internal thread:M5
Process connection sealing	FKM (DIN EN ISO 1179-2)
Restrictor element integrated	yes

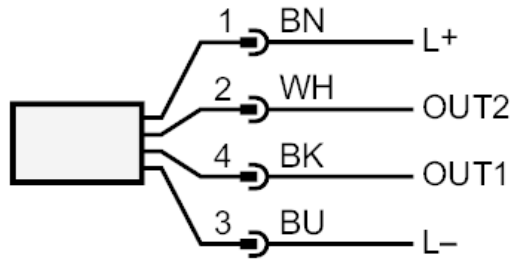
Remarks	
Remarks	BFSL = Best Fit Straight Line LS = limit value setting
Pack quantity	1 pcs.

Electrical connection

Connector: 1 x M12; coding: A



Connection



- OUT1 Switching output pressure
 IO-Link
- OUT2 Switching output pressure / temperature
 Colors to DIN EN 60947-5-2
 Core colors :
- BK = black
- BN = brown
- BU = blue
- WH = white