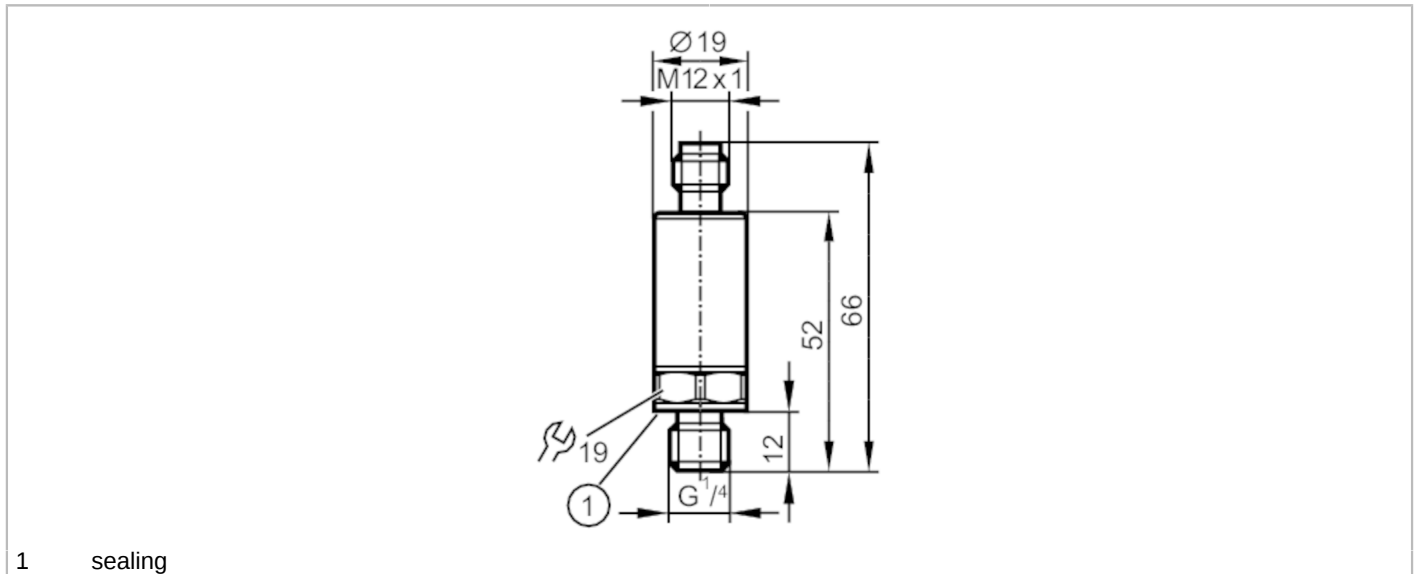


PU8504



Pressure transmitter

PU-010-SEG14-C-DVG/US



Product characteristics

Number of inputs and outputs	Number of analog outputs: 1			
Measuring range	0...10 bar	0...145 psi	0...1000 kPa	0...1 MPa
Process connection	threaded connection G 1/4 external thread (DIN EN ISO 1179-2)			

Application

Application	for mobile applications		
Media	liquids and gases		
Medium temperature [°C]	-40...125		
Min. burst pressure	300 bar	4350 psi	30 MPa
Pressure rating	25 bar	360 psi	2.5 MPa
Note on pressure rating	static		
Vacuum resistance	-1000 mbar	-0.1 MPa	
Type of pressure	relative pressure		

Electrical data

Operating voltage [V]	8...32 DC
Current consumption [mA]	< 12
Min. insulation resistance [MΩ]	100; (500 V DC)
Protection class	III
Reverse polarity protection	yes
Power-on delay time [s]	< 0.1

Inputs / outputs

Number of inputs and outputs	Number of analog outputs: 1
------------------------------	-----------------------------

Outputs

Total number of outputs	1
Output signal	analog signal
Number of analog outputs	1
Analog voltage output [V]	0.5...4.5
Min. load resistance [Ω]	2000

PU8504



Pressure transmitter

PU-010-SEG14-C-DVG/US

Short-circuit proof	yes
Overload protection	yes

Measuring/setting range

Measuring range	0...10 bar	0...145 psi	0...1000 kPa	0...1 MPa
-----------------	------------	-------------	--------------	-----------

Accuracy / deviations

Repeatability [% of the span]	< ± 0,05; (with temperature fluctuations < 10 K)
Characteristics deviation [% of the span]	< ± 0,8; (incl. drift when overtightened, zero point and span error, non-linearity, hysteresis)
Linearity deviation [% of the span]	< ± 0,25 (BFSL) / < ± 0,5 (LS)
Hysteresis deviation [% of the span]	< ± 0,2
Long-term stability [% of the span]	< ± 0,1; (per 6 months)
Temperature coefficient zero point [% of the span / 10 K]	< ± 0,1 (0...80 °C); < ± 0,2 (-40...0 °C / 80...125 °C)
Temperature coefficient span [% of the span / 10 K]	< ± 0,1 (0...80 °C); < ± 0,2 (-40...0 °C / 80...125 °C)

Reaction times

Step response time analog output [ms]	2
---------------------------------------	---

Operating conditions

Ambient temperature [°C]	-40...100
Storage temperature [°C]	-40...100
Protection	IP 67; IP 69K

Tests / approvals

EMC	compliant with UN ECE R10, rev. 5	
	ISO 11452-2	100 V/m
	DIN EN 61326-1	
Shock resistance	DIN EN 60068-2-27	500 g (1 ms)
Vibration resistance	DIN EN 60068-2-6	20 g (10...2000 Hz)
MTTF [years]		658
Pressure equipment directive	sound engineering practice; can be used for group 2 fluids; group 1 fluids on request	

Mechanical data

Weight [g]	57.5
Housing	tubular
Dimensions [mm]	Ø 19 / L = 66
Material	stainless steel (630/1.4542/17-4 PH); stainless steel (1.4404 / 316L); PEI
Materials (wetted parts)	stainless steel (630/1.4542/17-4 PH)
Min. pressure cycles	60 million; (at 1.2 times nominal pressure)
Tightening torque [Nm]	25...35; (recommended tightening torque; Depends on lubrication, seal and pressure rating)
Process connection	threaded connection G 1/4 external thread (DIN EN ISO 1179-2)
Process connection sealing	HNBR (DIN EN ISO 1179-2)
Restrictor element integrated	yes

PU8504



Pressure transmitter

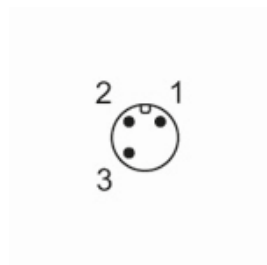
PU-010-SEG14-C-DVG/US

Remarks

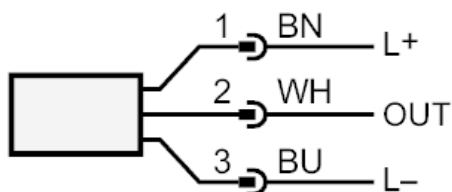
Remarks	BFSL = Best Fit Straight Line LS = limit value setting
Pack quantity	1 pcs.

Electrical connection

Connector: 1 x M12; coding: A; Maximum cable length: 30 m



Connection



OUT analog output
 Colors to DIN EN 60947-5-2
 Core colors :
BN = brown
BU = blue
WH = white