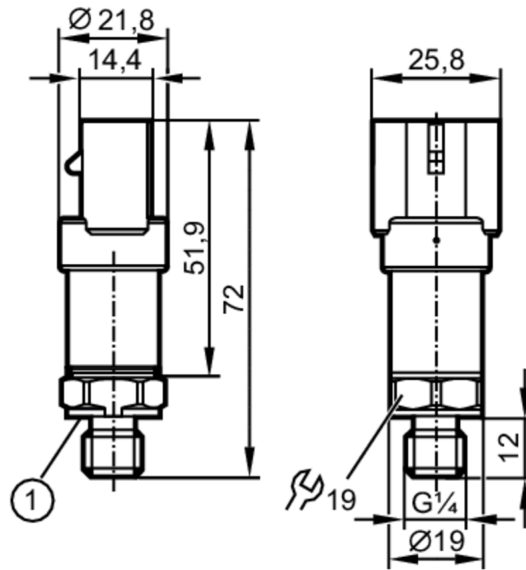


PU5603



Pressure transmitter

PU-025-SEG14-B-DVG/AM



1 sealing



Product characteristics

Number of inputs and outputs	Number of analog outputs: 1		
Measuring range	0...25 bar	0...360 psi	0...2.5 MPa
Process connection	threaded connection G 1/4 external thread (DIN EN ISO 1179-2)		

Application

Application	for mobile applications		
Media	liquids and gases		
Medium temperature [°C]	-40...125		
Min. burst pressure	600 bar	8700 psi	60 MPa
Pressure rating	65 bar	940 psi	6.5 MPa
Note on pressure rating	static		
Vacuum resistance	-1000 mbar	-0.1 MPa	
Type of pressure	relative pressure		

Electrical data

Operating voltage [V]	16...32 DC		
Current consumption [mA]	< 12		
Min. insulation resistance [MΩ]	100; (500 V DC)		
Protection class	III		
Reverse polarity protection	yes		
Power-on delay time [s]	< 0.1		

Inputs / outputs

Number of inputs and outputs	Number of analog outputs: 1		
------------------------------	-----------------------------	--	--

Outputs

Total number of outputs	1		
Output signal	analog signal		
Number of analog outputs	1		

PU5603



Pressure transmitter

PU-025-SEG14-B-DVG/AM

Analog voltage output	[V]	0...10
Min. load resistance	[Ω]	2000
Short-circuit proof		yes
Overload protection		yes

Measuring/setting range

Measuring range	0...25 bar	0...360 psi	0...2.5 MPa
-----------------	------------	-------------	-------------

Accuracy / deviations

Repeatability	[% of the span]	< ± 0,05; (with temperature fluctuations < 10 K)
Characteristics deviation	[% of the span]	< ± 0,8; (incl. drift when overtightened, zero point and span error, non-linearity, hysteresis)
Linearity deviation	[% of the span]	< ± 0,25 (BFSL) / < ± 0,5 (LS)
Hysteresis deviation	[% of the span]	< ± 0,2
Long-term stability	[% of the span]	< ± 0,1; (per 6 months)
Temperature coefficient zero point	[% of the span / 10 K]	< ± 0,1 (0...80 °C); < ± 0,2 (-40...0 °C / 80...125 °C)
Temperature coefficient span	[% of the span / 10 K]	< ± 0,1 (0...80 °C); < ± 0,3 (-40...0 °C); < ± 0,2 (80...125 °C)

Reaction times

Step response time analog output	[ms]	2
----------------------------------	------	---

Operating conditions

Ambient temperature	[°C]	-40...100
Storage temperature	[°C]	-40...100
Protection		IP 67; IP 69K

Tests / approvals

EMC	compliant with UN ECE R10, rev. 5	(E1 compliant)
	ISO 11452-2	100 V/m
	DIN EN 61326-1	
Shock resistance	DIN EN 60068-2-27	500 g (1 ms)
Vibration resistance	DIN EN 60068-2-6	20 g (10...2000 Hz)
MTTF	[years]	640
Pressure equipment directive		sound engineering practice; can be used for group 2 fluids; group 1 fluids on request

Mechanical data

Weight	[g]	61.75
Housing		tubular
Dimensions	[mm]	Ø 21.8 / L = 72
Material		stainless steel (630/1.4542/17-4 PH); stainless steel (1.4404 / 316L); PPS
Materials (wetted parts)		stainless steel (630/1.4542/17-4 PH)
Min. pressure cycles		60 million; (at 1.2 times nominal pressure)
Tightening torque	[Nm]	25...35; (recommended tightening torque; Depends on lubrication, seal and pressure rating)
Process connection		threaded connection G 1/4 external thread (DIN EN ISO 1179-2)

PU5603



Pressure transmitter

PU-025-SEG14-B-DVG/AM

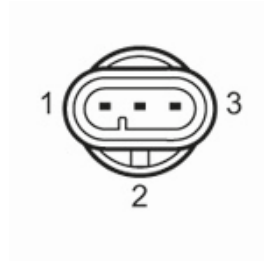
Process connection sealing	HNBR (DIN EN ISO 1179-2)
Restrictor element integrated	yes

Remarks

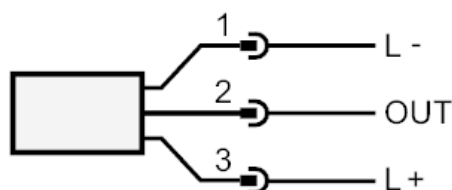
Remarks	BFSL = Best Fit Straight Line LS = limit value setting
Pack quantity	1 pcs.

Electrical connection

Connector: 1 x AMP-Superseal; Maximum cable length: 30 m



Connection



OUT analog output