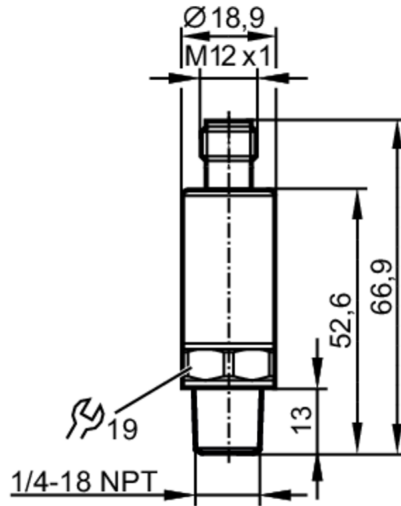


PT2424



Pressure transmitter

PT-020PSEN14-A-ZVG/US/ IW



| Product characteristics | |
|--|--|
| Number of inputs and outputs | Number of analog outputs: 1 |
| Measuring range | 0...200 psi 0...1380 kPa |
| Process connection | threaded connection 1/4" NPT external thread |
| Application | |
| Application | for industrial applications |
| Media | liquids and gases |
| Medium temperature [°C] | -40...90 |
| Min. burst pressure | 6525 psi 45 MPa |
| Pressure rating | 580 psi 4 MPa |
| Note on pressure rating | static |
| Vacuum resistance | -14.5 psi -0.1 MPa |
| Type of pressure | relative pressure |
| MAWP (for applications according to CRN) [psi] | 580 |
| Electrical data | |
| Operating voltage [V] | 8.5...36 DC |
| Min. insulation resistance [MΩ] | 100; (500 V DC) |
| Protection class | III |
| Reverse polarity protection | yes |
| Power-on delay time [s] | < 0.1 |
| Inputs / outputs | |
| Number of inputs and outputs | Number of analog outputs: 1 |
| Outputs | |
| Total number of outputs | 1 |
| Output signal | analog signal |
| Number of analog outputs | 1 |

PT2424



Pressure transmitter

PT-020PSEN14-A-ZVG/US/ IW

| | | |
|---|------------------------|---|
| Analog current output | [mA] | 4...20 |
| Max. load | [Ω] | ($U_b - 8,5 \text{ V}$) / 21,5 mA; @8,5V= 0 Ω; @12V max. 160 Ω; @24V max. 720 Ω |
| Short-circuit proof | | yes |
| Overload protection | | yes |
| Measuring/setting range | | |
| Measuring range | | 0...200 psi 0...1380 kPa |
| Accuracy / deviations | | |
| Repeatability | [% of the span] | < ± 0,05; (with temperature fluctuations < 10 K) |
| Characteristics deviation | [% of the span] | < ± 0,5; (incl. drift when overtightened, zero point and span error, non-linearity, hysteresis) |
| Linearity deviation | [% of the span] | < ± 0,1 (BFSL) / < ± 0,2 (LS) |
| Hysteresis deviation | [% of the span] | < ± 0,2 |
| Long-term stability | [% of the span] | < ± 0,1; (per 6 months) |
| Temperature coefficient zero point and span | [% of the span / 10 K] | < 0,1 (-25...90 °C) / < 0,2 (-40...-25 °C) |
| Reaction times | | |
| Step response time analog output | [ms] | 1 |
| Operating conditions | | |
| Ambient temperature | [°C] | -40...90 |
| Storage temperature | [°C] | -40...100 |
| Protection | | IP 67; IP 69K |
| Tests / approvals | | |
| EMC | | DIN EN 61000-6-2 DIN EN 61000-6-3 |
| Shock resistance | | DIN EN 60068-2-27 50 g (11 ms) |
| Vibration resistance | | DIN EN 60068-2-6 20 g (10...2000 Hz) |
| MTTF | [years] | 784 |
| Pressure equipment directive | | sound engineering practice; can be used for group 2 fluids; group 1 fluids on request |
| Mechanical data | | |
| Weight | [g] | 57.5 |
| Housing | | tubular |
| Dimensions | [mm] | Ø 18.9 / L = 66.9 |
| Material | | stainless steel (630/1.4542/17-4 PH); stainless steel (1.4404 / 316L); PEI |
| Materials (wetted parts) | | stainless steel (630/1.4542/17-4 PH) |
| Min. pressure cycles | | 60 million; (at 1.2 times nominal pressure) |
| Tightening torque | [Nm] | < 50; (recommended tightening torque; Depends on lubrication, seal and pressure rating) |
| Process connection | | threaded connection 1/4" NPT external thread |
| Restrictor element integrated | | no (can be retrofitted) |

PT2424



Pressure transmitter

PT-020PSEN14-A-ZVG/US/ IW

Remarks

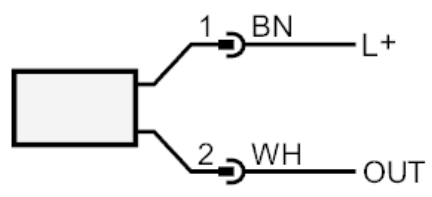
| | |
|---------------|---|
| Remarks | BFSL = Best Fit Straight Line LS = limit value setting |
| Pack quantity | 1 pcs. |

Electrical connection

Connector: 1 x M12; coding: A



Connection



OUT analog output
 Colors to DIN EN 60947-5-2
 Core colors :
BN = brown
WH = white