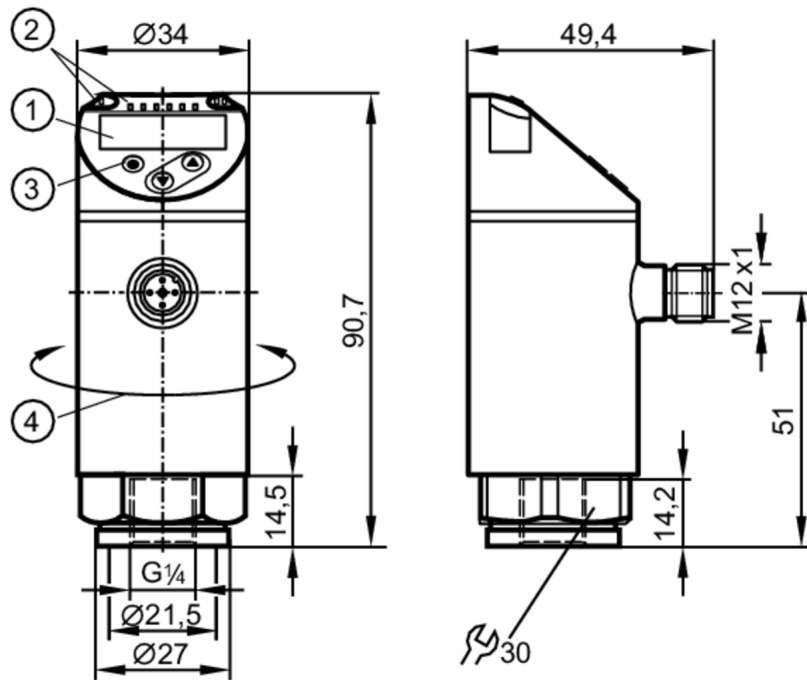


PN7094



Pressure sensor with display

PN-010-RER14-QFRKG/US/ IV



- 1 alphanumeric display 4-digit red/green
- 2 LEDs Display unit / Switching status
- 3 Programming button
- 4 upper part of the housing can be rotated 345°



Product characteristics

Number of inputs and outputs	Number of digital outputs: 2		
Measuring range	-1...10 bar	-14.5...145 psi	-0.1...1 MPa
Process connection	threaded connection G 1/4 Internal thread		

Application

System	gold-plated contacts		
Measuring element	ceramic-capacitive pressure measuring cell		
Application	for industrial applications		
Media	liquids and gases		
Medium temperature [°C]	-25...80		
Min. burst pressure	150 bar	2175 psi	15 MPa
Pressure rating	75 bar	1087 psi	7.5 MPa
Vacuum resistance	-1000 mbar		-0.1 MPa
Type of pressure	relative pressure; vacuum		

Electrical data

Operating voltage [V]	18...30 DC; (to SELV/PELV)		
Current consumption [mA]	< 35		
Min. insulation resistance [MΩ]	100; (500 V DC)		
Protection class	III		
Reverse polarity protection	yes		
Power-on delay time [s]	< 0.3		

PN7094



Pressure sensor with display

PN-010-RER14-QFRKG/US/ IV

Integrated watchdog	yes		
Inputs / outputs			
Number of inputs and outputs	Number of digital outputs: 2		
Outputs			
Total number of outputs	2		
Output signal	switching signal; IO-Link; (configurable)		
Electrical design	PNP/NPN		
Number of digital outputs	2		
Output function	normally open / closed; (configurable)		
Max. voltage drop switching output DC [V]	2.5		
Permanent current rating of switching output DC [mA]	150; (200 (...60 °C) 250 (...40 °C))		
Switching frequency DC [Hz]	< 170		
Short-circuit protection	yes		
Type of short-circuit protection	yes (non-latching)		
Overload protection	yes		
Measuring/setting range			
Measuring range	-1...10 bar	-14.5...145 psi	-0.1...1 MPa
Factory setting / CMPT = 2			
Set point SP	-0.9...10 bar	-13.5...145 psi	-0.09...1 MPa
Reset point rP	-0.95...9.95 bar	-14...144.5 psi	-0.095...0.995 MPa
Min. difference between SP and rP	0.05 bar	1 psi	0.005 MPa
In steps of	0.05 bar	0.5 psi	0.005 MPa
Status_B High Resolution / CMPT = 3			
Set point SP	-0.92...10 bar	-13.3...145 psi	-0.092...1 MPa
Reset point rP	-0.97...9.95 bar	-14...144.3 psi	-0.097...0.995 MPa
Min. difference between SP and rP	0.05 bar	0.8 psi	0.005 MPa
In steps of	0.01 bar	0.1 psi	0.001 MPa
Accuracy / deviations			
Switch point accuracy [% of the span]	< ± 0,5		
Repeatability [% of the span]	< ± 0,1; (with temperature fluctuations < 10 K)		
Characteristics deviation [% of the span]	< ± 0,25 (BFSL) / < ± 0,5 (LS); (BFSL = Best Fit Straight Line; LS = limit value setting)		
Hysteresis deviation [% of the span]	< ± 0,25		
Long-term stability [% of the span]	< ± 0,05; (per 6 months)		
Temperature coefficient zero point [% of the span / 10 K]	< ± 0,2; (0...80 °C)		
Temperature coefficient span [% of the span / 10 K]	< ± 0,2; (0...80 °C)		

PN7094



Pressure sensor with display

PN-010-RER14-QFRKG/US/ IV

Reaction times										
Response time	[ms]	< 3								
Delay time programmable dS, dr	[s]	0...50								
Software / programming										
Parameter setting options	hysteresis / window; normally open / closed; switching logic; switch-on/switch-off delay; Damping; Display unit									
Interfaces										
Communication interface	IO-Link									
Transmission type	COM2 (38,4 kBaud)									
IO-Link revision	1.1									
SDCI standard	IEC 61131-9									
SIO mode	yes									
Required master port class	A; (when pin 2 not connected: B)									
Supported DeviceIDs	<table border="1"> <thead> <tr> <th>Type of operation</th> <th>DeviceID</th> </tr> </thead> <tbody> <tr> <td>Factory setting / CMPT = 2</td> <td>403</td> </tr> <tr> <td>Status_B High Resolution / CMPT = 3</td> <td>601</td> </tr> </tbody> </table>	Type of operation	DeviceID	Factory setting / CMPT = 2	403	Status_B High Resolution / CMPT = 3	601			
Type of operation	DeviceID									
Factory setting / CMPT = 2	403									
Status_B High Resolution / CMPT = 3	601									
Note	For further information please see the IODD PDF file at "Downloads"									
Factory setting / CMPT = 2										
Profiles	Smart Sensor - SSP 0	Generic Profiled Sensor								
	Function	Device identification								
	Function	Process data variable								
	Function	Device diagnosis								
Min. process cycle time	[ms]	2.3								
IO-Link resolution pressure	0.01 bar	0.001 MPa								
IO-Link process data (cyclical)	<table border="1"> <thead> <tr> <th>Function</th> <th>bit length</th> </tr> </thead> <tbody> <tr> <td>pressure</td> <td>14</td> </tr> <tr> <td>binary switching information</td> <td>2</td> </tr> </tbody> </table>	Function	bit length	pressure	14	binary switching information	2			
Function	bit length									
pressure	14									
binary switching information	2									
IO-Link functions (acyclical)	application specific tag									
Status_B High Resolution / CMPT = 3										
Profiles	Smart Sensor - SSP 3.1	Measuring Sensor								
	Common - I&D	Identification and Diagnosis								
Min. process cycle time	[ms]	3								
IO-Link resolution pressure	0.005 bar	0.0005 MPa								
IO-Link process data (cyclical)	<table border="1"> <thead> <tr> <th>Function</th> <th>bit length</th> </tr> </thead> <tbody> <tr> <td>pressure</td> <td>16</td> </tr> <tr> <td>device status</td> <td>4</td> </tr> <tr> <td>binary switching information</td> <td>2</td> </tr> </tbody> </table>	Function	bit length	pressure	16	device status	4	binary switching information	2	
Function	bit length									
pressure	16									
device status	4									
binary switching information	2									
IO-Link functions (acyclical)	application specific tag									
Operating conditions										
Ambient temperature	[°C]	-25...80								
Storage temperature	[°C]	-40...100								
Protection	IP 65; IP 67									
Tests / approvals										
EMC	DIN EN 61000-6-2									
	DIN EN 61000-6-3									

PN7094



Pressure sensor with display

PN-010-RER14-QFRKG/US/ IV

Shock resistance	DIN EN 60068-2-27	50 g (11 ms)
Vibration resistance	DIN EN 60068-2-6	20 g (10...2000 Hz)
MTTF [years]		260
UL approval	UL approval number	J001
Pressure equipment directive	sound engineering practice; can be used for group 2 fluids; group 1 fluids on request	

Mechanical data

Weight [g]	241.7
Housing	tubular
Dimensions [mm]	Ø 34 / L = 90.7
Material	stainless steel (1.4404 / 316L); PBT+PC-GF30; PBT-GF20; PC
Materials (wetted parts)	stainless steel (1.4404 / 316L); ceramics; FKM
Min. pressure cycles	100 million
Tightening torque [Nm]	25...35; (recommended tightening torque; Depends on lubrication, seal and pressure rating)
Process connection	threaded connection G 1/4 Internal thread

Displays / operating elements

Display	Display unit	3 x LED, green (bar, psi, MPa)
	Switching status	2 x LED, yellow
	Measured values	alphanumeric display, red/green 4-digit

Remarks

Pack quantity	1 pcs.
---------------	--------

Electrical connection

Connector: 1 x M12; coding: A; Contacts: gold-plated



PN7094



Pressure sensor with display

PN-010-RER14-QFRKG/US/ IV

Connection



OUT1	Switching output IO-Link
OUT2	Switching output Colors to DIN EN 60947-5-2 Core colors :
BK =	black
BN =	brown
BU =	blue
WH =	white