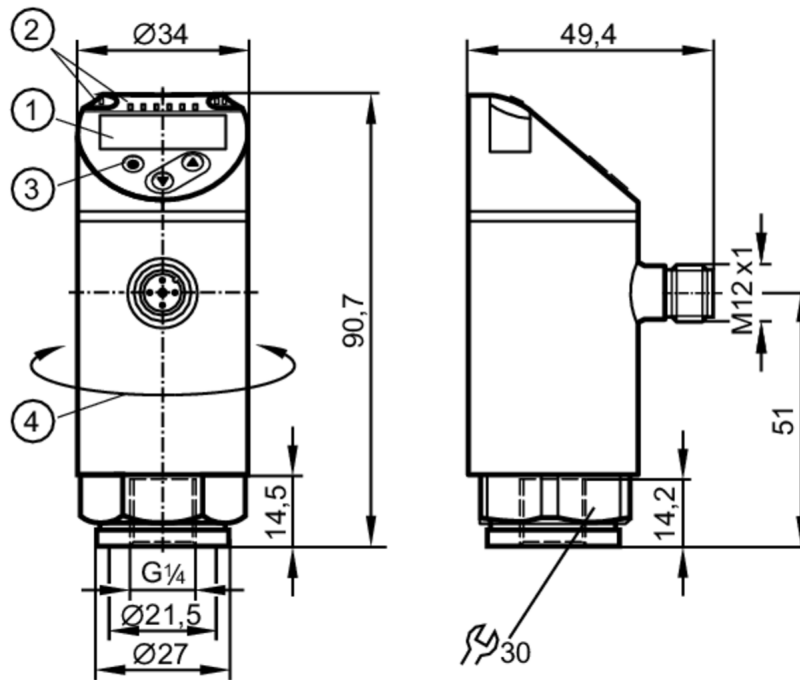


PN2090



Pressure sensor with display

PN-400-SER14-MFRKG/US/ IV



- 1 alphanumeric display 4-digit red/green
- 2 LEDs Display unit / Switching status
- 3 Programming button
- 4 upper part of the housing can be rotated 345°



Product characteristics

Number of inputs and outputs	Number of digital outputs: 2; Number of analog outputs: 1		
Measuring range	0...400 bar	0...5800 psi	0...40 MPa
Process connection	threaded connection G 1/4 Internal thread		

Application

System	gold-plated contacts		
Measuring element	ceramic-capacitive pressure measuring cell		
Application	for industrial applications		
Media	Liquids		
Conditionally suitable for	use in gases at pressures > 25 bar only on request		
Medium temperature [°C]	-25...80		
Min. burst pressure	1200 bar	17400 psi	120 MPa
Pressure rating	600 bar	8700 psi	60 MPa
Vacuum resistance	-1000 mbar		-0.1 MPa
Type of pressure	relative pressure		

Electrical data

Operating voltage [V]	18...30 DC; (to SELV/PELV)		
Current consumption [mA]	< 35		
Min. insulation resistance [MΩ]	100; (500 V DC)		
Protection class	III		
Reverse polarity protection	yes		

PN2090



Pressure sensor with display

PN-400-SER14-MFRKG/US/ IV

Power-on delay time	[s]	0.3
Integrated watchdog		yes

Inputs / outputs

Number of inputs and outputs	Number of digital outputs: 2; Number of analog outputs: 1
------------------------------	---

Outputs

Total number of outputs	2
Output signal	switching signal; analog signal; IO-Link; (configurable)
Electrical design	PNP/NPN
Number of digital outputs	2
Output function	normally open / closed; (configurable)
Max. voltage drop switching output DC	[V] 2
Permanent current rating of switching output DC	[mA] 250
Switching frequency DC	[Hz] < 500
Number of analog outputs	1
Analog current output	[mA] 4...20; (scalable 1:5)
Max. load	[Ω] 500
Analog voltage output	[V] 0...10; (scalable 1:5)
Min. load resistance	[Ω] 2000
Short-circuit protection	yes
Type of short-circuit protection	yes (non-latching)
Overload protection	yes

Measuring/setting range

Measuring range	0...400 bar	0...5800 psi	0...40 MPa
Set point SP	2.5...400 bar	40...5800 psi	0.25...40 MPa
Reset point rP	1...398.5 bar	10...5780 psi	0.1...39.85 MPa
Analog start point	0...320 bar	0...4640 psi	0...32 MPa
Analog end point	80...400 bar	1160...5800 psi	8...40 MPa
In steps of	0.5 bar	10 psi	0.05 MPa

Accuracy / deviations

Switch point accuracy	[% of the span]	< ± 0,4; (Turn down 1:1)
Repeatability	[% of the span]	< ± 0,1; (with temperature fluctuations < 10 K; Turn down 1:1)
Characteristics deviation	[% of the span]	< ± 0,25 (BFSL) / < ± 0,5 (LS); (Turn down 1:1; BFSL = Best Fit Straight Line; LS = limit value setting)
Hysteresis deviation	[% of the span]	< ± 0,1; (Turn down 1:1)
Long-term stability	[% of the span]	< ± 0,05; (Turn down 1:1; per 6 months)
Temperature coefficient zero point	[% of the span / 10 K]	< ± 0,2; (-0...80 °C)
Temperature coefficient span	[% of the span / 10 K]	< ± 0,2; (-0...80 °C)

PN2090



Pressure sensor with display

PN-400-SER14-MFRKG/US/ IV

Notes on the accuracy / deviation

switch point accuracy, linearity error under DNV GL: $< \pm 1\%$: $< \pm 1\%$

Reaction times

Response time [ms]	< 1.5
Delay time programmable dS, dr [s]	0...50
Damping process value dAP [s]	0...4
Damping for the analog output dAA [s]	0...4
Max. response time analog output [ms]	3

Software / programming

Parameter setting options	hysteresis / window; normally open / closed; switch-on/ switch-off delay; Damping; Display unit; current/voltage output
---------------------------	---

Interfaces

Communication interface	IO-Link
Transmission type	COM2 (38,4 kBaud)
IO-Link revision	1.1
SDCI standard	IEC 61131-9
Profiles	Smart Sensor - SSP 0 Generic Profiled Sensor Function Device identification Function Process data variable Function Device diagnosis
SIO mode	yes
Required master port class	A
Process data analog	1
Process data binary	2
Min. process cycle time [ms]	2.3
Supported DeviceIDs	Type of operation default DeviceID 459

Operating conditions

Ambient temperature [°C]	-25...80
Storage temperature [°C]	-40...100
Protection	IP 65; IP 67

Tests / approvals

EMC	DIN EN 61000-6-2	
	DIN EN 61000-6-3	
Shock resistance	DIN EN 60068-2-27	50 g (11 ms)
Vibration resistance	DIN EN 60068-2-6	20 g (10...2000 Hz)
MTTF [years]		161
UL approval	UL approval number	J040
Pressure equipment directive	sound engineering practice; can be used for group 2 fluids; group 1 fluids on request	

Mechanical data

Weight [g]	281.7
Housing	tubular
Dimensions [mm]	Ø 34 / L = 90.7

PN2090



Pressure sensor with display

PN-400-SER14-MFRKG/US/ IV

Material	stainless steel (1.4404 / 316L); PBT+PC-GF30; PBT-GF20; PC
Materials (wetted parts)	stainless steel (1.4404 / 316L); Al2O3 (ceramics); FKM
Min. pressure cycles	100 million
Tightening torque [Nm]	25...35; (recommended tightening torque; Depends on lubrication, seal and pressure rating)
Process connection	threaded connection G 1/4 Internal thread
Restrictor element integrated	yes

Displays / operating elements

Display	Display unit	3 x LED, green (bar, psi, MPa)
	Switching status	2 x LED, yellow
	Measured values	alphanumeric display, red/green 4-digit

Remarks

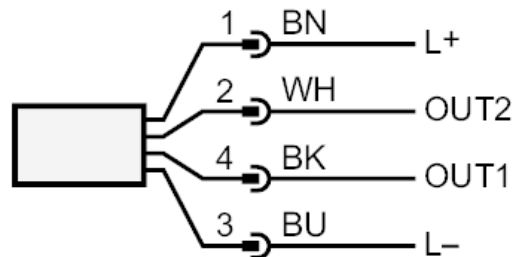
Pack quantity	1 pcs.
---------------	--------

Electrical connection

Connector: 1 x M12; coding: A; Contacts: gold-plated



Connection



OUT1	switching output or IO-Link
OUT2	switching output or analog output
	Colors to DIN EN 60947-5-2
	Core colors :
BK =	black
BN =	brown
BU =	blue
WH =	white