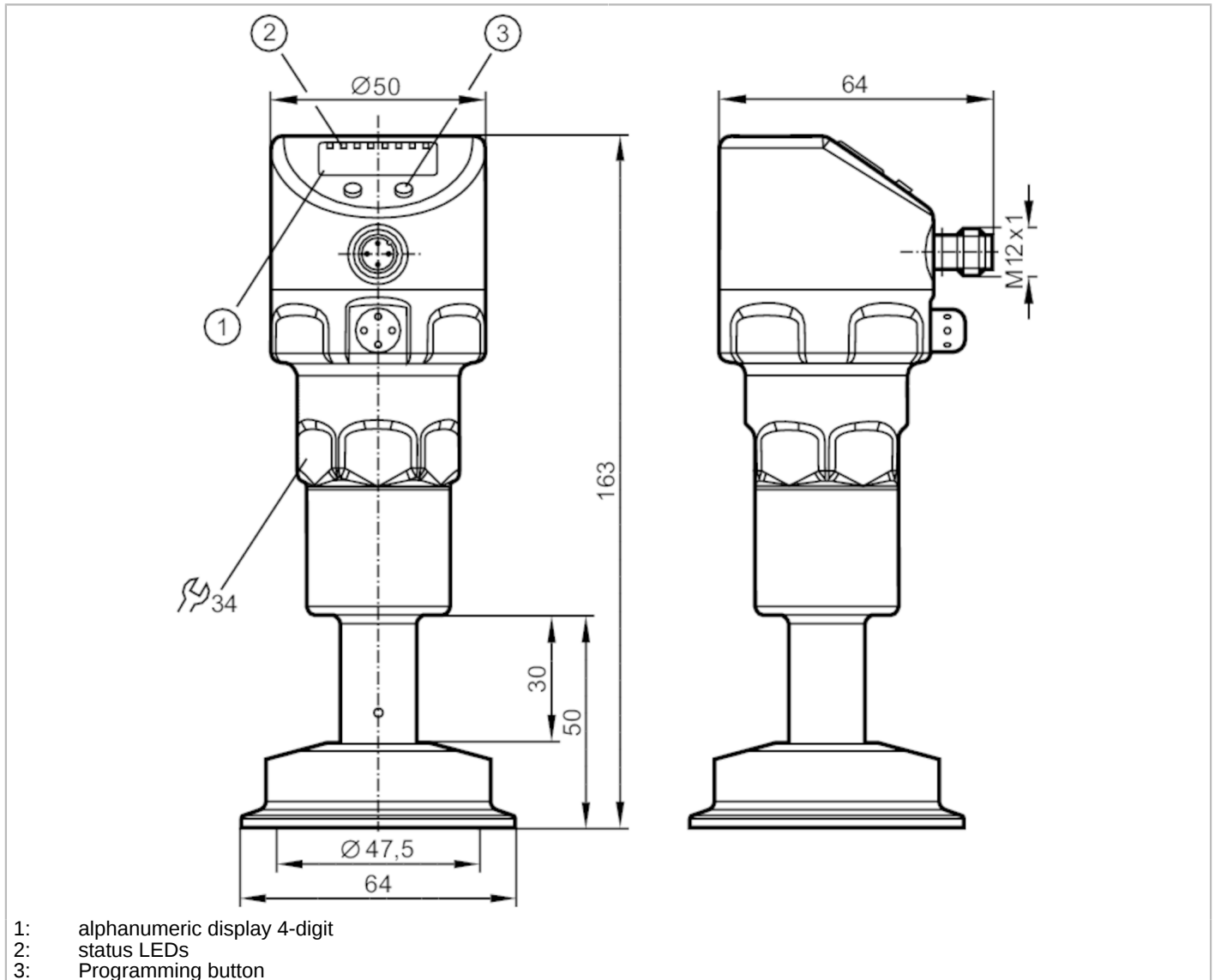


# PI2307



## Flush pressure sensor with display

PI-001BREZ02-MFRKG/US/ IP



### Product characteristics

Number of inputs and outputs	Number of digital outputs: 2; Number of analog outputs: 1		
Measuring range	-50...1000 mbar	-0.73...14.5 psi	-5...100 kPa
Process connection	Clamp DN50 (2") DIN 32676 (ISO 2852)		

### Application

System	gold-plated contacts		
Application	flush mountable for the food and beverage industry		
Media	viscous media and liquids with suspended particles; liquids and gases		
Medium temperature [°C]	-20...200; (-20...90 < 0 bar)		
Min. burst pressure	30000 mbar	435 psi	3000 kPa
Pressure rating	10000 mbar	145 psi	1000 kPa
Type of pressure	relative pressure		

### Electrical data

Min. insulation resistance [MΩ]	100; (500 V DC)
---------------------------------	-----------------

# PI2307



## Flush pressure sensor with display

PI-001BREZ02-MFRKG/US/ /P

Protection class	III		
Reverse polarity protection	yes		
Integrated watchdog	yes		
<b>2-wire</b>			
Operating voltage [V]	20...32 DC		
Current consumption [mA]	3.6...21		
Power-on delay time [s]	1		
<b>3-wire</b>			
Operating voltage [V]	18...32 DC		
Current consumption [mA]	< 45		
Power-on delay time [s]	0.5		
<b>Inputs / outputs</b>			
Number of inputs and outputs	Number of digital outputs: 2; Number of analog outputs: 1		
<b>Outputs</b>			
Total number of outputs	2		
Output signal	switching signal; analog signal; IO-Link; (configurable)		
Electrical design	PNP/NPN		
Number of digital outputs	2		
Output function	normally open / closed; (configurable)		
Number of analog outputs	1		
Analog current output [mA]	4...20, invertible; (scalable)		
Short-circuit protection	yes		
Type of short-circuit protection	yes (non-latching)		
Overload protection	yes		
<b>2-wire</b>			
Max. load [Ω]	300		
<b>3-wire</b>			
Max. voltage drop switching output DC [V]	2		
Permanent current rating of switching output DC [mA]	250		
Switching frequency DC [Hz]	125		
Max. load [Ω]	(U <sub>b</sub> - 10 V) / 20 mA		
<b>Measuring/setting range</b>			
Measuring range	-50...1000 mbar	-0.73...14.5 psi	-5...100 kPa
Set point SP	-48...1000 mbar	-0.7...14.5 psi	-4.8...100 kPa
Reset point rP	-50...998 mbar	-0.73...14.47 psi	-0.5...99.8 kPa
Analog start point	-50...750 mbar	-0.73...10.88 psi	-5...75 kPa
Analog end point	200...1000 mbar	2.9...14.5 psi	20...100 kPa
In steps of	1 mbar	0.01 psi	0.1 kPa
Factory setting		SP1 = 250 mbar	rP1 = 230 mbar
		SP2 = 750 mbar	rP2 = 730 mbar
		ASP = 0 mbar	AEP = 1000 mbar



## Flush pressure sensor with display

PI-001BREZ02-MFRKG/US/ /P

Accuracy / deviations		
Switch point accuracy [% of the span]	< ± 0,2; (Turn down 1:1)	
Repeatability [% of the span]	< ± 0,1; (with temperature fluctuations < 10 K; Turn down 1:1)	
Characteristics deviation [% of the span]	< ± 0,2; (Turn down 1:1, linearity, incl. hysteresis and repeatability, limit value setting to DIN EN IEC 62828-1)	
Linearity deviation [% of the span]	< ± 0,15; (Turn down 1:1)	
Zero-point stabilization [% of the span]	IO-Link, analog output	0,15
	Display, Switching output	0,2
Hysteresis deviation [% of the span]	< ± 0,15; (Turn down 1:1)	
Long-term stability [% of the span]	< ± 0,1; (Turn down 1:1; per year)	
Temperature coefficient zero point [% of the span / 10 K]	< ± 0,3; (0...200 °C)	
Temperature coefficient span [% of the span / 10 K]	< ± 0,15; (0...200 °C)	
Reaction times		
Damping process value dAP [s]	0...30	
Damping for the analog output dAA [s]	0.01...99.99	
2-wire		
Step response time analog output [ms]	45	
3-wire		
Min. response time of switching output (dAP) [ms]	3	
Step response time analog output [ms]	7	
Interfaces		
Communication interface	IO-Link	
Transmission type	COM2 (38,4 kBaud)	
IO-Link revision	1.0	
SDCI standard	IO-Link Communication Specification, Version 1.0, January 2009, Ordner No: 10.002	
SIO mode	yes	
Required master port class	A	
Process data analog	1	
Process data binary	2	
Min. process cycle time [ms]	2.3	
Supported DeviceIDs	<b>Type of operation</b>	<b>DeviceID</b>
	default	256
Operating conditions		
Ambient temperature [°C]	-25...80	
Note on ambient temperature	Medium temperature: ≤ 160 °C	

# PI2307



## Flush pressure sensor with display

PI-001BREZ02-MFRKG/US/ /P

Ambient temperature	[°C]	-25...65
Note on ambient temperature		Medium temperature: ≤ 200 °C
Storage temperature	[°C]	-25...100
Protection		IP 67; IP 68; IP 69K

### Tests / approvals

EMC	DIN EN 61000-6-2	
	DIN EN 61000-6-3	
Shock resistance	DIN EN 60068-2-27	50 g (11 ms)
Vibration resistance	DIN EN 60068-2-6	20 g (10...2000 Hz)
MTTF	[years]	142
Note on approval		Including free 6-point calibration certificate.

### Mechanical data

Weight	[g]	1200.45
Housing		tubular
Dimensions	[mm]	Ø 50 / L = 163
Material		stainless steel (1.4404 / 316L); stainless steel (1.4435 / 316L); PBT; PEI; PFA
Materials (wetted parts)		stainless steel (1.4435 / 316L)
Min. pressure cycles		10 million
Process connection		Clamp DN50 (2") DIN 32676 (ISO 2852)
Surface characteristics Ra/Rz of the wetted parts		Ra < 0.38 µm
Fill fluid for pressure transfer		NEOBEE (food grade, FDA compliant)
Diaphragm diameter	[mm]	47.5

### Displays / operating elements

Display	Display unit	LED, green
	Switching status	LED, yellow
	Function display	alphanumeric display, 4-digit
	Measured values	alphanumeric display, 4-digit
Display unit		mbar; kPa; psi; inH2O; mWS; % of the span

### Remarks

Pack quantity		1 pcs.
---------------	--	--------

# PI2307

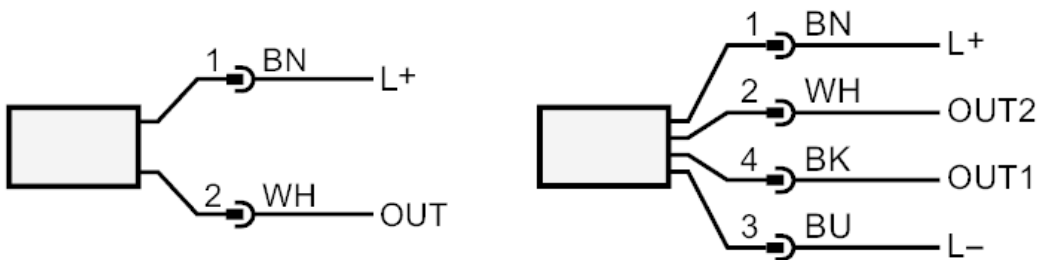


## Flush pressure sensor with display

PI-001BREZ02-MFRKG/US/ IP

### Electrical connection

Connector: 1 x M12; coding: A; Contacts: gold-plated



OUT	connection for 2-wire operation : analog output
OUT1	connection for 3-wire operation : Switching output
OUT2	IO-Link Switching output analog output
	Colors to DIN EN 60947-5-2 Core colors :
BK =	black
BN =	brown
BU =	blue
WH =	white