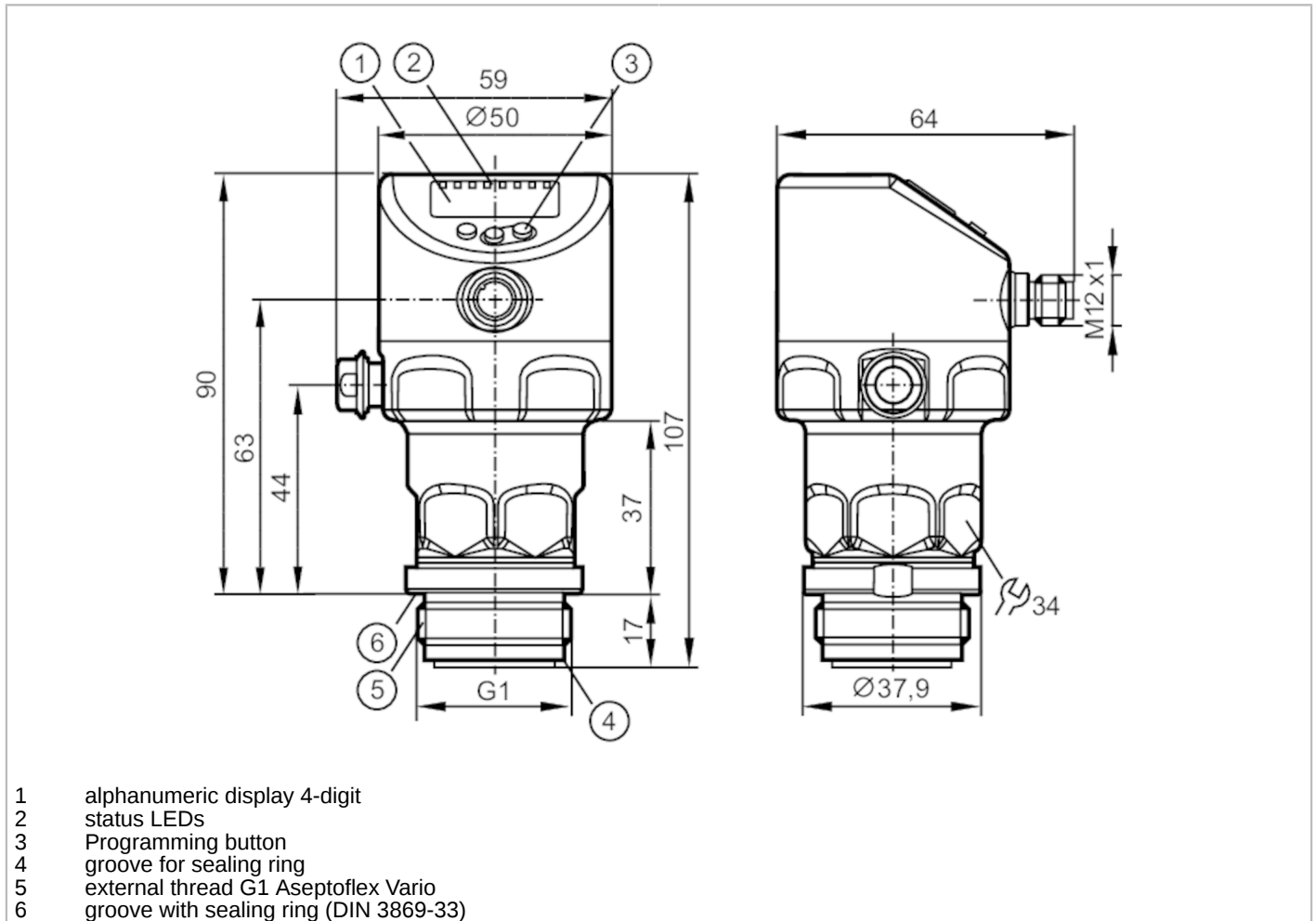


PI1704



Flush pressure sensor with display

PI-010-REA01-MFRKG/US/ IP



- 1 alphanumeric display 4-digit
- 2 status LEDs
- 3 Programming button
- 4 groove for sealing ring
- 5 external thread G1 Aseptoflex Vario
- 6 groove with sealing ring (DIN 3869-33)



ACS



CRN



EC 1935/2004

EHEDG Certified

FCM



IO-Link



Reg31



Reg31

TSDP/TÜV



Product characteristics

Number of inputs and outputs	Number of digital outputs: 2; Number of analog outputs: 1		
Measuring range	-1...10 bar	-14.6...145 psi	-0.1...1 MPa
Process connection	threaded connection G 1 external thread mit Dichtkontur Aseptoflex Vario		
Note	G1 Gewinde nach ISO 228. Alternativ dichtend über rückwärtige Dichtkontur mit Dichtung in Anlehnung an DIN EN ISO 1179-2.		

Application

System	gold-plated contacts		
Application	flush mountable for the food and beverage industry		
Media	viscous media and liquids with suspended particles; liquids and gases		
Medium temperature [°C]	-25...150		
Min. burst pressure	150 bar	2175 psi	15 MPa
Pressure rating	50 bar	725 psi	5 MPa
Vacuum resistance	-1000 mbar		-0.1 MPa
Type of pressure	relative pressure; vacuum		
No dead space	yes		

PI1704



Flush pressure sensor with display

PI-010-REA01-MFRKG/US/ IP

MAWP (for applications according to CRN)	[bar]	10
--	-------	----

Electrical data

Min. insulation resistance	[MΩ]	100; (500 V DC)
Protection class		III
Reverse polarity protection		yes
Integrated watchdog		yes

2-wire

Operating voltage	[V]	20...30 DC
Current consumption	[mA]	3.5...21.5
Power-on delay time	[s]	< 1

3-wire

Operating voltage	[V]	18...30 DC
Current consumption	[mA]	5...45; (430 bei max. Laststrom)
Power-on delay time	[s]	< 0.5

Inputs / outputs

Number of inputs and outputs	Number of digital outputs: 2; Number of analog outputs: 1	
------------------------------	---	--

Outputs

Total number of outputs		2
Output signal		switching signal; analog signal; IO-Link
Electrical design		PNP/NPN
Number of digital outputs		2
Output function		normally open / closed; (configurable)
Number of analog outputs		1
Analog current output	[mA]	4...20, invertible; (scalable)
Short-circuit protection		yes
Type of short-circuit protection		yes (non-latching)
Overload protection		yes

2-wire

Max. load	[Ω]	300
-----------	-----	-----

3-wire

Max. voltage drop switching output DC	[V]	2
Permanent current rating of switching output DC	[mA]	100
Switching frequency DC	[Hz]	125
Max. load	[Ω]	(U _b - 10 V) / 21,5 mA; 650 Ω (U _b = 24 V)

Measuring/setting range

Measuring range	-1...10 bar	-14.6...145 psi	-0.1...1 MPa
Set point SP	-0.99...10 bar	-14.3...145 psi	-0.099...1 MPa
Reset point rP	-1...9.99 bar	-14.5...144.8 psi	-0.1...0.999 MPa
Analog start point	-1...8 bar	-14.5...116 psi	-0.1...0.8 MPa
Analog end point	1...10 bar	14.5...145 psi	0.1...1 MPa

PI1704



Flush pressure sensor with display

PI-010-REA01-MFRKG/US/ /P

Min. difference between SP and rP	0.02 bar	0.3 psi	0.002 MPa
In steps of	0.01 bar	0.1 psi	0.001 MPa
Factory setting		SP1 = 2.50 bar	rP1 = 2.30 bar
		SP2 = 7.50 bar	rP2 = 7.30 bar
		ASP = 0.00 bar	AEP = 10.00 bar
		dAP = 0.06 s	dAA = 0.06 s

Temperature monitoring		
Measuring range	-25...150 °C	-13...302 °F

Accuracy / deviations

Switch point accuracy [% of the span]	< ± 0,2; (DIN EN IEC 62828-1; Turn down 1:1)	
Repeatability [% of the span]	< ± 0,1; (with temperature fluctuations < 10 K; Turn down 1:1)	
Characteristics deviation [% of the span]	< ± 0,2; (DIN IEC EN 62828-1 incl. zero point and span error, non-linearity, hysteresis; Turn down 1:1)	
Linearity deviation [% of the span]	< ± 0,15; (Turn down 1:1)	
Zero-point stabilization [% of the span]	IO-Link, analog output	0,15; (see operating instructions zero-point behavior)
	Display, Switching output	0,2
Hysteresis deviation [% of the span]	< ± 0,15; (Turn down 1:1)	
Long-term stability [% of the span]	< ± 0,1; (Turn down 1:1; per year)	
Total deviation over temperature range	Temperature range	total deviation
	-25...15 °C	Characteristics deviation ± 0,05 % of the span / 10 K
	15...80 °C	Characteristics deviation
	80...150 °C	Characteristics deviation ± 0,1 % of the span / 10 K
Notes on the accuracy / deviation	for further details see section Diagrams and graphs	

Temperature monitoring		
Accuracy [K]	± 2,5+ (0,08 x (Umgebungstemperatur - Mediumtemperatur))	
Repeatability [K]	± 0,2	
Resolution [K]	0.2	

Reaction times

Damping process value dAP [s]	0...99.99
Damping for the analog output dAA [s]	0...99.99

2-wire		
Step response time analog output [ms]	30	

3-wire		
Min. response time of switching output (dAP) [ms]	3	
Step response time analog output [ms]	7	

PI1704



Flush pressure sensor with display

PI-010-REA01-MFRKG/US/ IP

Temperature monitoring		
Dynamic response T05 / T09	[s]	< 45 / < 200; (DIN EN 60751 water ; > 0,9 m/s)
Interfaces		
Communication interface		IO-Link
Transmission type		COM2 (38,4 kBaud)
IO-Link revision		1.1
SDCI standard		IEC 61131-9
Profiles	Common - I&D	Identification and Diagnosis
	Function	Measurement data, high resolution
SIO mode		yes
Required master port class		A
Min. process cycle time	[ms]	5.6
IO-Link resolution pressure	[bar]	0.0005
IO-Link resolution temperature	[K]	0.2
IO-Link process data (cyclical)	Function	bit length
	pressure	32
	temperature	32
	device status	4
	binary switching information	2
IO-Link functions (acyclical)	application specific tag; internal temperature; operating hours counter; switching cycles counter; Pressure peak counter; measuring cell diagnosis	
Supported DeviceIDs	Type of operation	DeviceID
	default	1156
Operating conditions		
Ambient temperature	[°C]	-25...80
Storage temperature	[°C]	-40...100
Protection		IP 67; IP 68; IP 69K
Tests / approvals		
EMC		DIN EN 61326-1
Shock resistance		DIN EN 60068-2-27
Vibration resistance		DIN EN 60068-2-6
MTTF	[years]	214
UL approval	UL approval number	J048
	File number UL	E174189
Mechanical data		
Weight	[g]	360
Housing		tubular
Dimensions	[mm]	Ø 50 / L = 107
Material		Housing: stainless steel (1.4404 / 316L); Pushbuttons: PBT; sealings: FKM; M12 connector: PEI; Display: PFA; ventilation diaphragm: PTFE
Materials (wetted parts)		measuring cell: ceramics (99.9 % Al2O3); Process connection: stainless steel (1.4435 / 316L) surface characteristics: Ra < 0,4 µm / Rz = 4 µm; sealing: PTFE
Min. pressure cycles		100 million
Tightening torque	[Nm]	35
Process connection		threaded connection G 1 external thread mit Dichtkontur Aseptoflex Vario

PI1704



Flush pressure sensor with display

PI-010-REA01-MFRKG/US/ IP

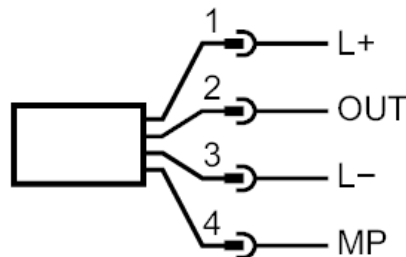
Displays / operating elements		
Display	Display unit	LED, green
	Switching status	LED, yellow
	Function display	alphanumeric display, 4-digit
	Measured values	alphanumeric display, 4-digit
Display unit	bar; psi; MPa	

Remarks	
Pack quantity	1 pcs.

Electrical connection
 Connector: 1 x M12; coding: A; Contacts: gold-plated



Connection



2-wire

1	L+	
2	OUT	AO

3-wire

1	L+	
2	OUT	DO2 (NO/NC), AO
3	L-	
4	MP	DO1 (NO/NC), IO-Link

Parameter setting

1	L+	
3	L-	
4	MP	IO-Link

PI1704

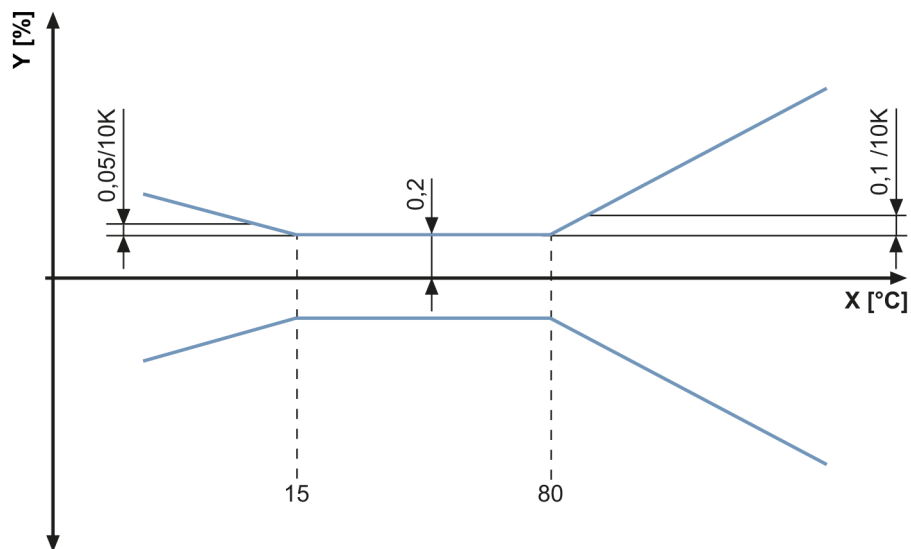


Flush pressure sensor with display

PI-010-REA01-MFRKG/US/ IP

Diagrams and graphs

ambient temperature influence on the accuracy



X temperature
Y total deviation