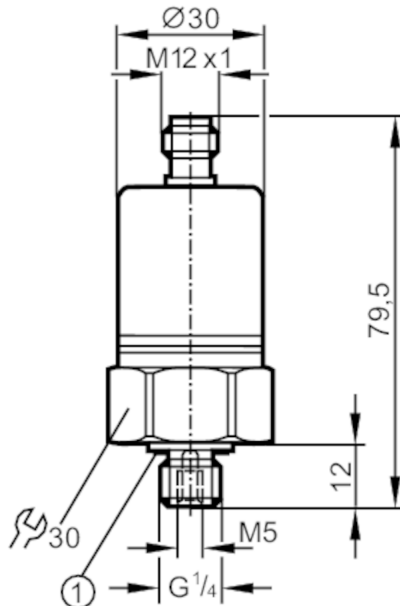


PA3528



Pressure transmitter with ceramic measuring cell

PA-,25BRBG14-A-ZVG/US/ IV



1 sealing



Product characteristics

Number of inputs and outputs	Number of analog outputs: 1		
Measuring range	0...0.25 bar	0...250 mbar	0...100.3 inH2O
Process connection	threaded connection G 1/4 external thread Internal thread:M5		

Application

System	gold-plated contacts		
Application	for industrial applications		
Media	liquids and gases		
Medium temperature [°C]	-25...90; (on request: -40...90 °C)		
Min. burst pressure	30000 mbar	12030 inH2O	3000 kPa
Pressure rating	6000 mbar	2400 inH2O	600 kPa
Type of pressure	relative pressure		

Electrical data

Operating voltage [V]	9.6...32 DC		
Min. insulation resistance [MΩ]	100; (500 V DC)		
Protection class	III		
Reverse polarity protection	yes		

Inputs / outputs

Number of inputs and outputs	Number of analog outputs: 1		
------------------------------	-----------------------------	--	--

Outputs

Total number of outputs	1		
Output signal	analog signal		
Number of analog outputs	1		
Analog current output [mA]	4...20		

PA3528



Pressure transmitter with ceramic measuring cell

PA-,25BRBG14-A-ZVG/US/ IV

Max. load	[Ω]	720; (U _b = 24 V; (U _b - 9,6 V) / 20 mA)				
Overload protection		yes				
Measuring/setting range						
Measuring range		0...0.25 bar	0...250 mbar	0...100.3 inH ₂ O	0...25 kPa	
Accuracy / deviations						
Repeatability	[% of the span]	< 0,1; (with temperature fluctuations < 10 K)				
Characteristics deviation	[% of the span]	< ± 0,25 (BFSL) / < ± 0,5 (LS); (BFSL = Best Fit Straight Line; LS = limit value setting)				
Long-term stability	[% of the span]	< ± 0,05; (per 6 months)				
Temperature coefficient zero point	[% of the span / 10 K]	< ± 0,2; (0...80 °C)				
Temperature coefficient span	[% of the span / 10 K]	< ± 0,3; (0...80 °C)				
Reaction times						
Step response time analog output	[ms]	3				
Operating conditions						
Ambient temperature	[°C]	-25...80				
Storage temperature	[°C]	-40...100				
Protection		IP 65				
Tests / approvals						
EMC	EN 61000-4-2 ESD	4 kV CD / 8 kV AD				
	EN 61000-4-3 HF radiated	30 V/m				
	EN 61000-4-4 Burst	2 kV				
	EN 61000-4-6 HF conducted radiation of interference	10 V according to the automotive directive 2004/104/EC				
	CISPR 25 noise immunity	according to the automotive directive 2004/104/EC				
	ISO 11452-2 HF radiated	100 V/m				
	ISO 7637-2 pulse	severity level 4				
	Shock resistance	DIN EN 60068-2-27	50 g (11 ms)			
		DIN EN 61373	Category 3			
	Vibration resistance	DIN EN 60068-2-6	20 g (10...2000 Hz)			
DIN EN 61373		Category 2				
MTTF	[years]	514				
Pressure equipment directive		sound engineering practice; can be used for group 2 fluids; group 1 fluids on request				
Railway applications		DIN EN 50155 / IEC 60571	Klasse T3, C1, S1			
Mechanical data						
Weight	[g]	217				
Housing		tubular				
Dimensions	[mm]	Ø 30 / L = 79.5				
Material		stainless steel (1.4404 / 316L); FKM; PA; EPDM/X				
Materials (wetted parts)		stainless steel (1.4305 / 303); ceramics; sealing: FKM DIN 3869-14				

PA3528



Pressure transmitter with ceramic measuring cell

PA-,25BRBG14-A-ZVG/US/ IV

Min. pressure cycles	100 million
Process connection	threaded connection G 1/4 external thread Internal thread:M5
Restrictor element integrated	no (can be retrofitted)

Remarks

Pack quantity	1 pcs.
---------------	--------

Electrical connection

Connector: 1 x M12; coding: A; Contacts: gold-plated



Connection

