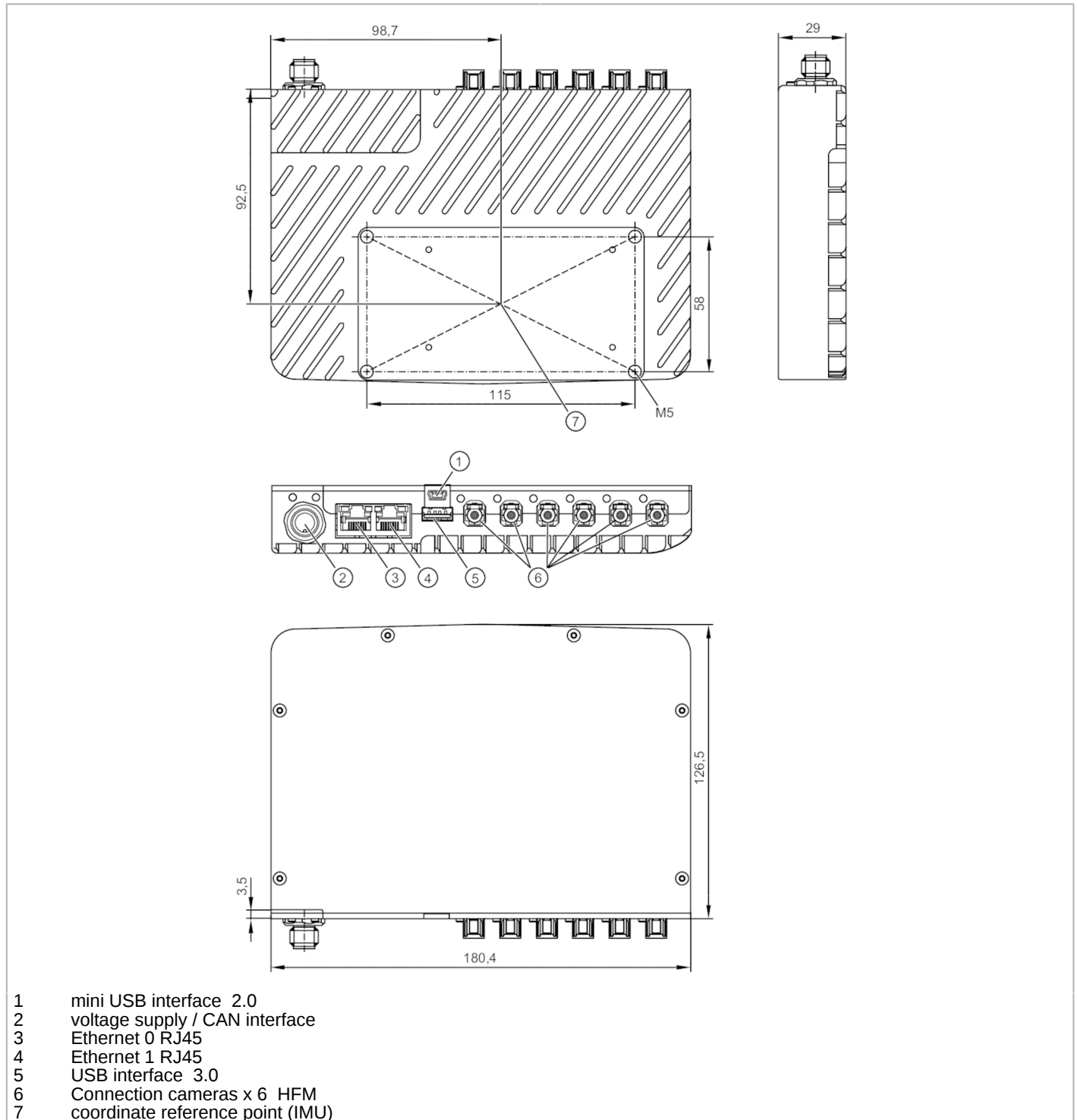


OVP811



Video processing unit (VPU)

OVPAA/RO/E0/E1/TX2NX/4GB/ODS



Application	
Application	ODS (obstacle detection) for collision avoidance
Electrical data	
Operating voltage	[V] 19.2...28.8 DC
Max. current consumption	[mA] 710

OVP811



Video processing unit (VPU)

OVPAA/RO/E0/E1/TX2NX/4GB/ODS

Power consumption	[W]	15.4; (Base value of the VPU. Increase the current/power consumption for each sensor head according to its data sheet. With 3 O3R222 cameras, at 20fps, the maximum current consumption of the system is 2270mA, the average power consumption is 35.8W.)
-------------------	-----	---

Interfaces

Number of CAN interfaces	1
Number of Ethernet interfaces	2
Number of USB interfaces	2

CAN

Protocol	free protocol
----------	---------------

Ethernet-ETH0

Transmission standard	1GBase-T
Transmission rate	1000 MBit/s
Type of connector	RJ45
Protocol	TCP/IP
Factory settings	IP address: 192.168.0.69 subnet mask: 255.255.255.0 (Class C) gateway IP address: 192.168.0.201 MAC address: see type label

Ethernet-ETH1

Transmission standard	1GBase-T
Transmission rate	1000 MBit/s
Type of connector	RJ45
Protocol	TCP/IP
Factory settings	IP address: 192.168.42.69 subnet mask: 255.255.255.0 (Class C) gateway IP address: 0.0.0.0 MAC address: see type label

Sensor interface

Transmission standard	FPD-Link
Type of connector	HFM (Mini-FAKRA)
Note on interfaces	number of cameras when using the ODS function (obstacle detection system): see operating instructions

USB

Type of connector	Mini-USB; type A
Version	2.0; 3.0

Operating conditions

Ambient temperature	[°C]	-10...40
Storage temperature	[°C]	-40...85
Protection		IP 50

Tests / approvals

EMC	EN IEC 61000-6-4	radiation of interference / industrial environments
	EN IEC 61000-6-2	noise immunity / industrial environments
Shock resistance	DIN EN 60068-2-27	50 g / (11 ms) not repetitive
	DIN EN 60068-2-27	40 g / (6 ms) repetitive

OVP811



Video processing unit (VPU)

OVPA A/RO/E0/E1/TX2NX/4GB/ODS

Vibration resistance	DIN EN 60068-2-6	2 g / (10...150 Hz)
	DIN EN 60068-2-64	2.3 g RMS / (10...500 Hz)
Electrical safety	DIN EN 61010-2-201	electrical supply only via PELV circuits

Mechanical data

Weight	[g]	1287.2
Dimensions	[mm]	126.5 x 29 x 180.4
Material		housing: aluminum
Tightening torque	[Nm]	< 5.5

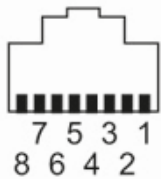
Hardware

Processor	SOM: NVIDIA Jetson TX2NX 4GB Module CPU: Dual-Core NVIDIA Denver 2 64-Bit CPU and Quad-Core Arm® Cortex®-A57 MPCore processor; GPU: 256-core NVIDIA Pascal™ architecture GPU
Working memory	4GB 128-bit LPDDR4, 1600 MHz - 51.2 GB/s
Mass storage	32GB eMMC 5.1 Flash (16GB for docker)

Remarks

Pack quantity	1 pcs.
---------------	--------

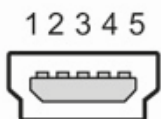
Electrical connection - Ethernet Connection



1	TX +
2	TX -
3	RX +
4	not used
5	not used
6	RX -
7	not used
8	not used

Electrical connection - USB socket

Connector: 1 x mini USB interface



OVP811

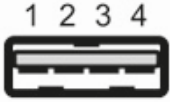


Video processing unit (VPU)

OVPA/RO/E0/E1/TX2NX/4GB/ODS

Electrical connection - USB socket Typ A

Connector: 1 x Typ A

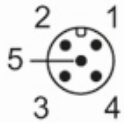


Electrical connection - sensor interface

Connector: 6 x HFM (Mini-FAKRA) (AMK12A-1M4Z5-A)

Electrical connection - voltage supply / CAN

Connector: 1 x M12; coding: A



1	screen
2	24 V
3	GND
4	CAN +
5	CAN -

Other data

Connection

	Port 0	Port 1	Port 2	Port 3	Port 4	Port 5
example 1	camera 1 (3D-38k)	camera 2 (3D-38k)	camera 1 (2D)	camera 2 (2D)	camera 3 (3D-38k)	-
example 2	camera 1 (2D)	camera 2 (2D)	camera 1 (3D-38k)	camera 2 (3D-38k)	camera 3 (2D)	camera 4 (2D)
example 3	camera 1 (3D-38k)	camera 2 (3D-38k)	-	camera 4 (3D- VGA)	-	-
example 4	camera 1 (3D- VGA)	camera 2 (3D- VGA)	camera 3 (3D- VGA)	camera 4 (3D- VGA)	-	-

ports 0 and 1, 2 and 3, 4 and 5 must be assigned to the same type of image sensor.

please note the different 3D image sensor types 38k and VGA when connecting the cameras.

remarks: Further information on the free memory required for specific applications can be found in the firmware-specific version information (<https://ifm.3d.com/>).

OVP811



Video processing unit (VPU)

OVPA/RO/E0/E1/TX2NX/4GB/ODS

typical detection range for ODS

object / object height	camera heads	mounting position	typical detection range *
fork on ground	O3R225 105°	20...30 cm	1.3 m
	O3R225 105°	55...60 cm	1.5 m
	O3R222 60°	55...60 cm	2.5 m
fork cantilevered	O3R225 105°	20...30 cm	2.1 m
	O3R225 105°	55...60 cm	2.1 m
	O3R222 60°	55...60 cm	3.0 m
7 cm cube (18%)	O3R225 105°	20...30 cm	1.6 m
	O3R225 105°	55...60 cm	1.6 m
	O3R222 60°	55...60 cm	2.5 m

* Test -conditions :

indoor

speed : ≤ 2 m/s

sealed, slightly inhomogeneous surface