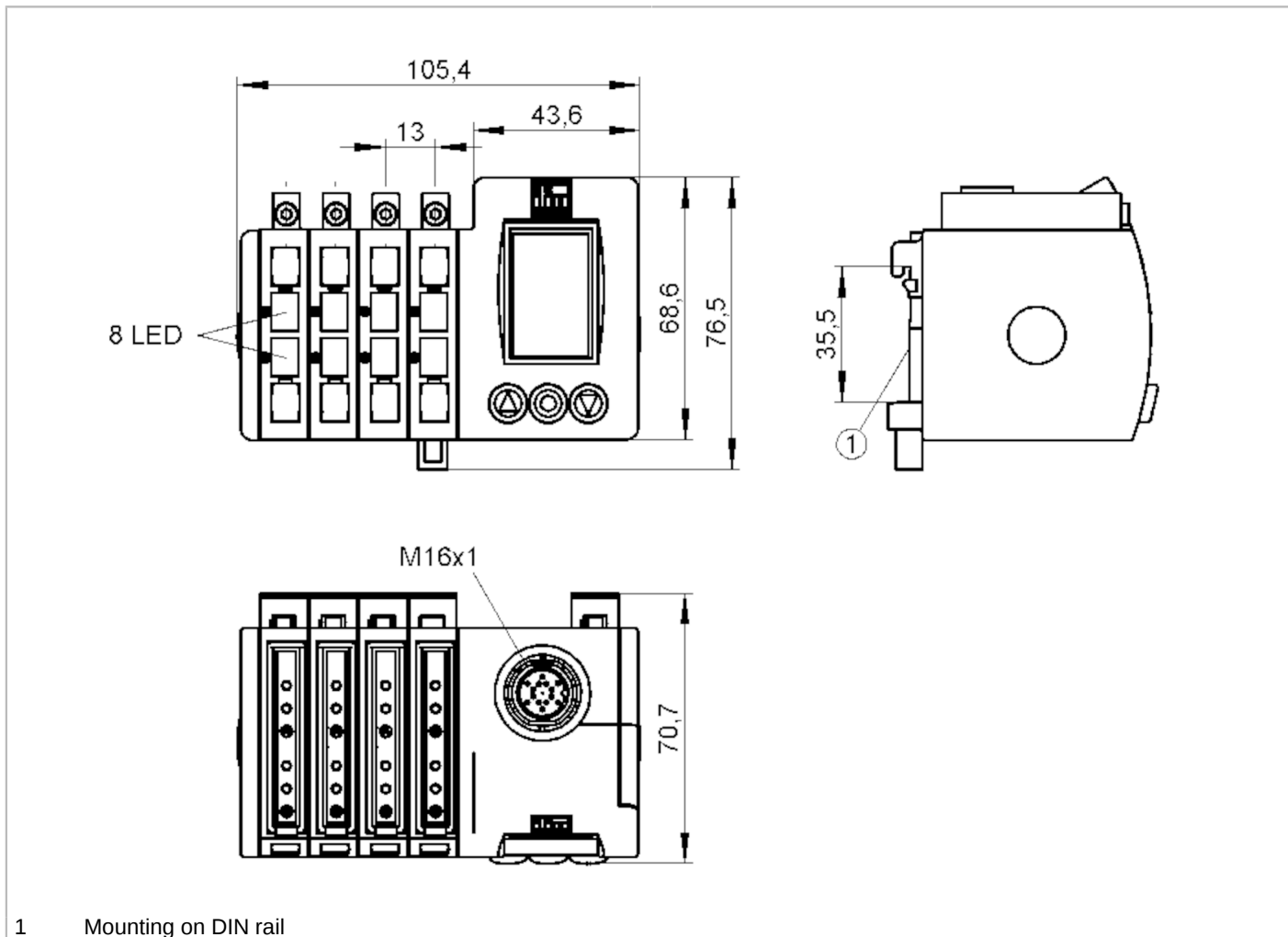


# OO5003



## Fiber-optic amplifier

OO5-FPKG/M16/KL8



1 Mounting on DIN rail



Product characteristics	
Type of light	red light
Housing	rectangular
Application	
System	Function check output
Electrical data	
Operating voltage [V]	12...36 DC
Current consumption [mA]	50; ((24 V))
Max. power consumption [VA]	1.3
Protection class	III
Reverse polarity protection	yes
Type of light	red light
Wave length [nm]	630
Outputs	
Electrical design	PNP
Output function	light-on/dark-on mode; (programmable)

# OO5003



## Fiber-optic amplifier

OOF-FPKG/M16/KL8

Max. voltage drop switching output DC [V]	2
Function check output	yes
Max. current load for function check output [mA]	200
Permanent current rating of switching output DC [mA]	200
Switching frequency DC [Hz]	800
Notes on switching frequency [Hz]	typical
Short-circuit protection	yes
Type of short-circuit protection	yes (non-latching)
Overload protection	yes
Time function [s]	0.001...0.1

<b>Monitoring range</b>	
Range [m]	< 3.8; (Through-beam sensor)
Range [mm]	0...300; (Diffuse reflection sensor)
Range adjustable	yes

<b>Software / programming</b>	
Parameter setting options	automatic and manual switch point setting; AND / OR logic functions; second switch point

<b>Operating conditions</b>	
Ambient temperature [°C]	-20...60
Protection	IP 65

<b>Tests / approvals</b>		
EMC	EN 60947-5-2	
	EN 55011	class B

<b>Mechanical data</b>	
Weight [g]	556.5
Housing	rectangular
Dimensions [mm]	76.5 x 105.4 x 70.7
Number of channels	8
Fiber optic connection	FE-11 / FT-11
Material	housing: ABS; display window: PMMA; LED window: SEPS; cover: diecast zinc plastic coated (PA)
Lens alignment	Side sensing

<b>Displays / operating elements</b>	
Display	full graphic LCD display, rotation of the display by 180° possible language selection (German, English, French)
	Switching status
Electronic lock	yes

<b>Accessories</b>	
Items supplied	rail: 1 x 94 mm, EN 60715

<b>Remarks</b>	
Remarks	cULus - Class 2 source required
Pack quantity	1 pcs.

# OO5003

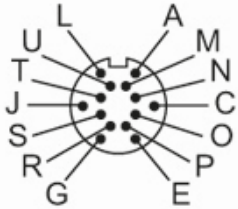


## Fiber-optic amplifier

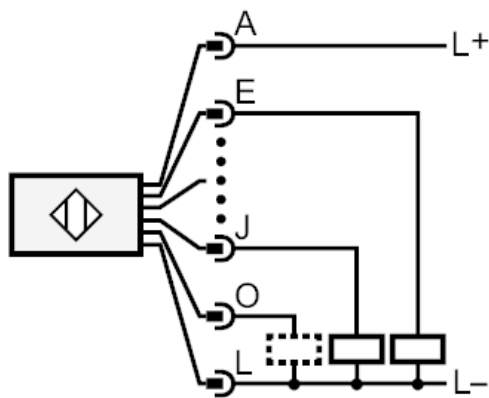
OO5-FPKG/M16/KL8

### Electrical connection

Connector: 1 x M16



### Connection



- E: Out 1
- P: Out 2
- S: Out 3
- G: Out 4
- C: Out 5
- T: Out 6
- N: Out 7
- J: Out 8

O Function check output