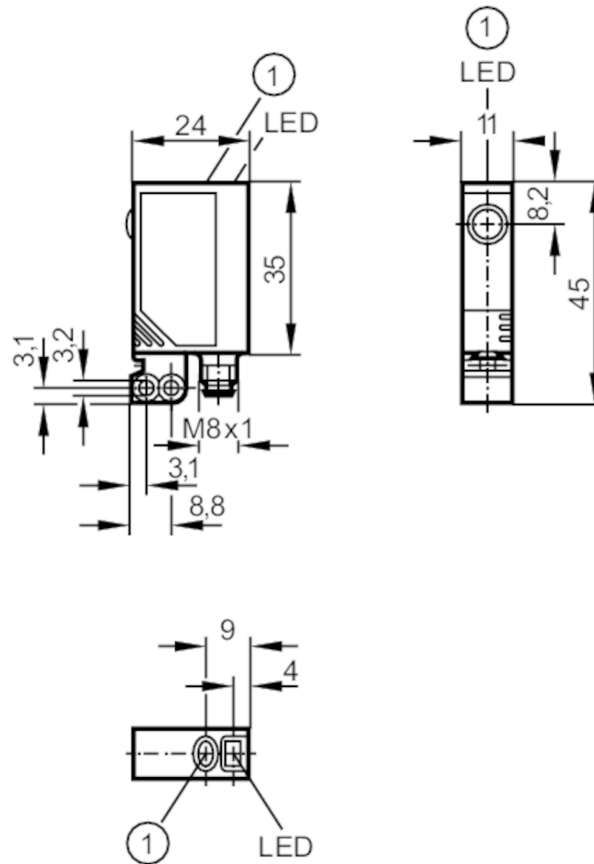


# OJ5041



## Through-beam laser sensor transmitter

OJSLOOKG/SO/IAS



1 pushbutton



### Product characteristics

Type of light	red light
Laser protection class	1
Housing	rectangular

### Application

Function principle	Through-beam sensor
--------------------	---------------------

### Electrical data

Operating voltage	[V]	10...30 DC
Current consumption	[mA]	< 12
Protection class		III
Reverse polarity protection		yes
Type of light		red light
Wave length	[nm]	650
Typ. lifetime	[h]	50000

### Outputs

Overload protection	yes
---------------------	-----

# OJ5041



## Through-beam laser sensor transmitter

OJSLOOKG/SO/AS

Monitoring range		
Transmitter / receiver		transmitter
Range [m]		< 1
Range adjustable		no
Max. light spot diameter [mm]		4
Light spot dimensions refer to		at maximum range
Operating conditions		
Ambient temperature [°C]		-10...60
Protection		IP 67
Tests / approvals		
EMC	EN 60947-5-2	
Laser protection class		1
Notes on laser protection	Caution:	Laser light
	laser class:	1
		EN / IEC60825-1:2007
		EN / IEC60825-1:2014
		Complies with 21 CFR 1040.10 except for conformance with IEC 60825-1 Ed. 3, as described in Laser Notice No. 56, dated May 8, 2019.
MTTF [years]		918
Mechanical data		
Weight [g]		27.55
Housing		rectangular
Dimensions [mm]		35 x 11 x 24
Material		housing: ABS; fixture: diecast zinc; LED window: SEPS; pushbutton: SEPS
Lens material		glass
Lens alignment		Side sensing
Displays / operating elements		
Display	Power	1 x LED, green
Accessories		
Items supplied		screws: 2 x (M3 x 16 mm)
		Basic clip: 1, E20964
		spring washers: 2
		Nuts: 2
Remarks		
Remarks		cULus - Class 2 source required
Pack quantity		1 pcs.

# OJ5041



## Through-beam laser sensor transmitter

OJSLOOKG/SO/AS

### Electrical connection

Connector: 1 x M8; coding: A



### Connection

