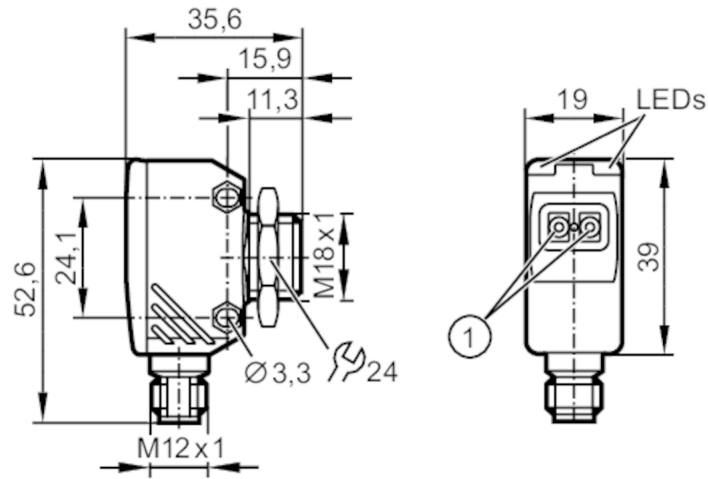


OGH580



Diffuse reflection sensors with background suppression

OGH-FPKG/US/CUBE



- 1 Programming buttons
transmitter in lower lens
Receiver in upper lens



Product characteristics

Type of light	red light
Housing	rectangular with M18 thread

Application

System	Background suppression
Function principle	Diffuse reflection sensor

Electrical data

Operating voltage	[V]	10...30 DC; (cULus - Class 2 source required)
Rated insulation voltage	[V]	32
Current consumption	[mA]	25
Protection class		III
Reverse polarity protection		yes
Max. power-on delay time	[ms]	300
Type of light		red light
Wave length	[nm]	645

Outputs

Electrical design		PNP
Output function		light-on/dark-on mode; (programmable)
Max. voltage drop switching output DC	[V]	2.5
Permanent current rating of switching output DC	[mA]	200
Switching frequency DC	[Hz]	1000
Short-circuit protection		yes
Type of short-circuit protection		yes (non-latching)



Diffuse reflection sensors with background suppression

OGH-FPKG/US/CUBE

Monitoring range	
Range	[mm] 15...200; (white paper 200 x 200 mm 90 % remission)
Range on white object (90 % remission)	[mm] 15...200
Range on grey object (18 % remission)	[mm] 15...200
Range on black object (6 % remission)	[mm] 15...200
Range adjustable	yes
Max. light spot diameter	[mm] 13
Light spot dimensions refer to	at maximum range
Background suppression available	yes

Interfaces		
Communication interface	IO-Link	
Transmission type	COM2 (38,4 kBaud)	
IO-Link revision	1.1	
SDCI standard	IEC 61131-9	
Profiles	Smart Sensor - SSP 3.1	Measuring Sensor
	Common - I&D	Identification and Diagnosis
	Function	Multiple switching signal
	Function	Teach channel
SIO mode	yes	
Required master port class	A	
Min. process cycle time	[ms] 10	
IO-Link process data (cyclical)	Function	bit length
	process value	16
	device status	4
	binary switching information	1
IO-Link functions (acyclical)	application specific tag; operating hours counter; switching cycles counter	
Supported DeviceIDs	Type of operation	DeviceID
	default	1164
Note	For further information please see the IODD PDF file at "Downloads"	

Operating conditions	
Ambient temperature	[°C] -25...60
Storage temperature	[°C] -40...60
Protection	IP 65; IP 67

Tests / approvals		
EMC	EN 60947-5-2	
MTTF	[years] 782	
UL approval	Ta	-25...60 °C
	Enclosure type	Type 1
	voltage supply	Class 2
	File number UL	E174191

Mechanical data	
Weight	[g] 60.5
Housing	rectangular with M18 thread

OGH580



Diffuse reflection sensors with background suppression

OGH-FPKG/US/CUBE

Dimensions	[mm]	52.6 x 19 x 35.6
Thread designation		M18 x 1
Material		diecast zinc; PEI
Lens material		PEI
Lens alignment		Side sensing

Displays / operating elements		
Display	Switching status	1 x LED, yellow
	Power	1 x LED, green
Operating elements	Set point	pushbutton
	Output function	pushbutton

Accessories	
Items supplied	lock nut: 1

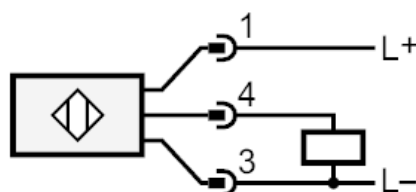
Remarks	
Pack quantity	1 pcs.

Electrical connection

Connector: 1 x M12; coding: A



Connection





Diffuse reflection sensors with background suppression

OGH-FPKG/US/CUBE

Other data

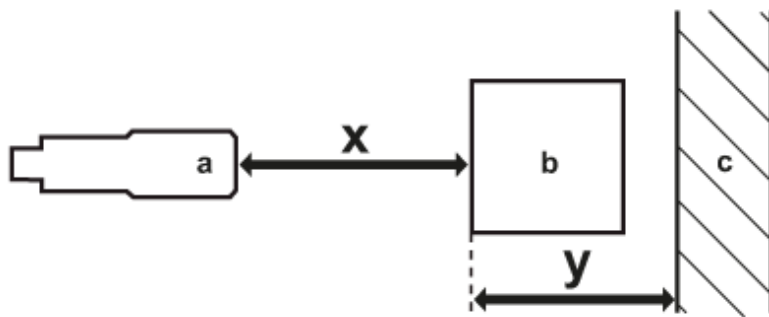
Repeatability / precision: 6 σ

	Repeatability of the measured values	
Abstand	white (90 % remission)	black (6 %...90 % remission)
20 mm	0.5 mm	1.0 mm
50 mm	0.8 mm	2.0 mm
100 mm	1.5 mm	4.5 mm
150 mm	3.0 mm	9.0 mm
200 mm	6.0 mm	20.0 mm
	Accuracy	
Abstand	white (90 % remission)	black (6 %...90 % remission)
20 mm	± 2.0 mm	± 2.5 mm
50 mm	± 3.5 mm	± 4.5 mm
100 mm	± 6.0 mm	± 7.5 mm
150 mm	± 7.5 mm	± 11.0 mm
200 mm	± 10.0 mm	± 17.0 mm

The values apply at

Extraneous light on the object	< 10 klx
constant ambient conditions	23 °C / 960 hPa
minimum power-on time in minutes	10

Diagrams and graphs



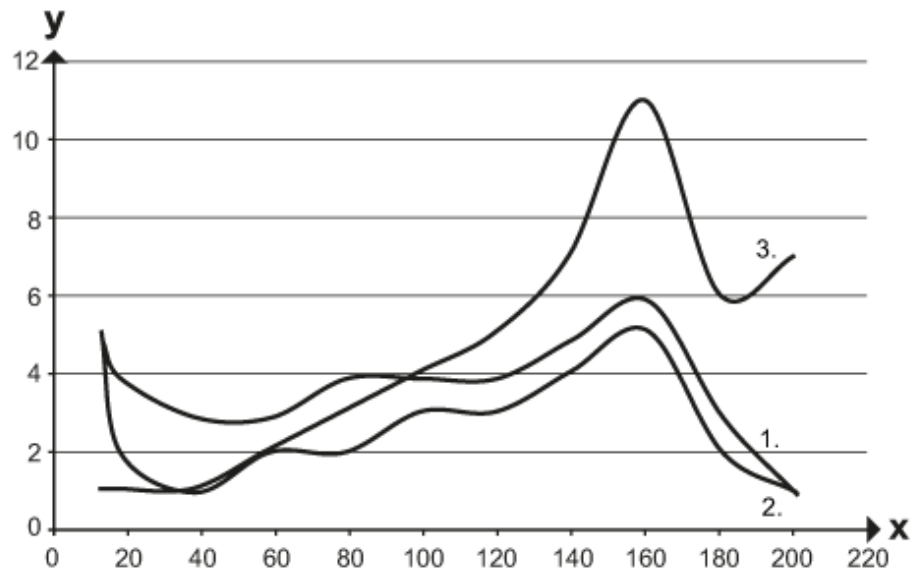
- a: sensor
- b: object
- c: background
- x: distance sensor/object [mm]
- y: min. distance object/background [mm]



Diffuse reflection sensors with background suppression

OGH-FPKG/US/CUBE

Background suppression chart



x: distance sensor/object [mm]

y: min. distance object/background [mm]

1 = object black (6 % remission) , Background white (90 % remission)

2 = object grey (18 % remission) , Background white (90 % remission)

3 = object white (90 % remission) , Background white (90 % remission)