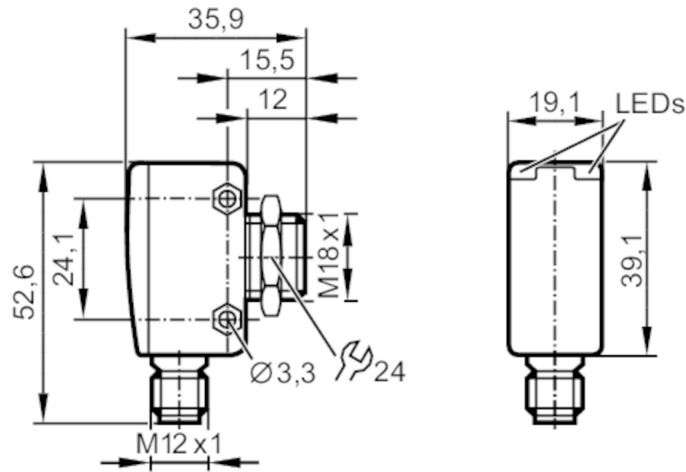


OGH280



Diffuse reflection sensors with background suppression

OGH-HPKG/US/CUBE/100MM



transmitter in lower lens
Receiver in upper lens



Product characteristics

Type of light	red light
Housing	rectangular with M18 thread

Application

System	Background suppression
Function principle	Diffuse reflection sensor

Electrical data

Operating voltage	[V]	10...30 DC; (cULus - Class 2 source required)
Rated insulation voltage	[V]	32
Current consumption	[mA]	25
Protection class		III
Reverse polarity protection		yes
Max. power-on delay time	[ms]	300
Type of light		red light
Wave length	[nm]	645

Outputs

Electrical design		PNP
Output function		light-on mode
Max. voltage drop switching output DC	[V]	2.5
Permanent current rating of switching output DC	[mA]	200
Switching frequency DC	[Hz]	1000
Short-circuit protection		yes
Type of short-circuit protection		yes (non-latching)

Monitoring range

Range	[mm]	< 100; (white paper 200 x 200 mm 90 % remission)
-------	------	--



Diffuse reflection sensors with background suppression

OGH-HPKG/US/CUBE/100MM

Range on white object (90 % remission) [mm]	< 100
Range on grey object (18 % remission) [mm]	< 100
Range on black object (6 % remission) [mm]	< 100
Range adjustable	no
Max. light spot diameter [mm]	7
Light spot dimensions refer to	at maximum range
Background suppression available	yes

Interfaces

Communication interface	IO-Link	
Transmission type	COM2 (38,4 kBaud)	
IO-Link revision	1.1	
SDCI standard	IEC 61131-9	
Profiles	Smart Sensor - SSP 3.1	Measuring Sensor
	Common - I&D	Identification and Diagnosis
	Function	Multiple switching signal
	Function	Teach channel
SIO mode	yes	
Required master port class	A	
Min. process cycle time [ms]	10	
IO-Link process data (cyclical)	Function	bit length
	process value	16
	device status	4
	binary switching information	1
IO-Link functions (acyclical)	application specific tag; operating hours counter; switching cycles counter	
Supported DeviceIDs	Type of operation	DeviceID
	default	1131
Note	For further information please see the IODD PDF file at "Downloads"	

Operating conditions

Ambient temperature [°C]	-25...60
Storage temperature [°C]	-40...60
Protection	IP 65; IP 67

Tests / approvals

EMC	EN 60947-5-2	
MTTF [years]	782	
UL approval	Ta	-25...60 °C
	Enclosure type	Type 1
	voltage supply	Class 2
	File number UL	E174191

Mechanical data

Weight [g]	59.5
Housing	rectangular with M18 thread
Dimensions [mm]	52.6 x 19.1 x 35.9
Thread designation	M18 x 1

OGH280



Diffuse reflection sensors with background suppression

OGH-HPKG/US/CUBE/100MM

Material	diecast zinc; PEI
Lens material	PEI
Lens alignment	Side sensing

Displays / operating elements

Display	Switching status	1 x LED, yellow
	Power	1 x LED, green

Accessories

Items supplied	lock nut: 1
----------------	-------------

Remarks

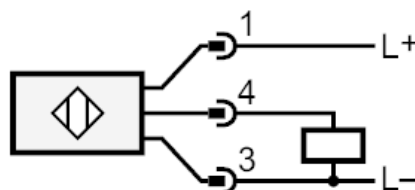
Pack quantity	1 pcs.
---------------	--------

Electrical connection

Connector: 1 x M12; coding: A



Connection





Diffuse reflection sensors with background suppression

OGH-HPKG/US/CUBE/100MM

Other data

Repeatability / precision: 6 σ

	Repeatability of the measured values	
Abstand	white (90 % remission)	black (6 %...90 % remission)
20 mm	0.5 mm	1.0 mm
50 mm	0.8 mm	2.0 mm
100 mm	1.5 mm	4.5 mm
	Accuracy	
Abstand	white (90 % remission)	black (6 %...90 % remission)
20 mm	± 1.5 mm	± 1.8 mm
50 mm	± 3.0 mm	± 3.5 mm
100 mm	± 5.0 mm	± 6.5 mm

The values apply at

Extraneous light on the object	< 10 klx
constant ambient conditions	23 °C / 960 hPa
minimum power-on time in minutes	10