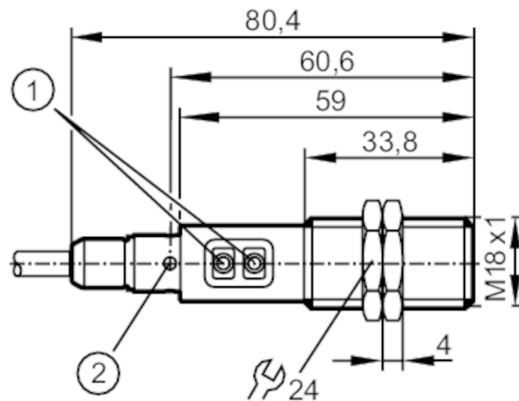


OGE502



Through-beam sensor receiver

OGE-FPKG/2M



- 1 Programming buttons
- 2 LED 4 x 90°



Product characteristics

Type of light	red light
Housing	Threaded type

Application

Function principle	Through-beam sensor
--------------------	---------------------

Electrical data

Operating voltage [V]	10...36 DC
Current consumption [mA]	11
Protection class	II
Reverse polarity protection	yes
Type of light	red light
Wave length [nm]	624

Outputs

Electrical design	PNP
Output function	light-on/dark-on mode; (programmable)
Max. voltage drop switching output DC [V]	2.5
Permanent current rating of switching output DC [mA]	150; (200 (...60 °C))
Switching frequency DC [Hz]	1000
Short-circuit protection	yes
Type of short-circuit protection	yes (non-latching)
Overload protection	yes

Monitoring range

Transmitter / receiver	receiver
Range [m]	< 25
Factory setting	dark-on mode
Range adjustable	yes

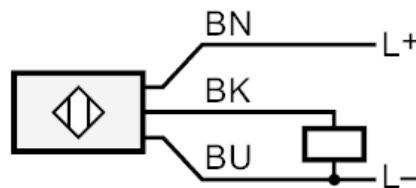
OGE502



Through-beam sensor receiver

OGE-FPKG/2M

Operating conditions		
Ambient temperature	[°C]	-25...80
Protection		IP 67
Tests / approvals		
EMC		EN 60947-5-2
MTTF	[years]	786
Mechanical data		
Weight	[g]	124.7
Housing		Threaded type
Dimensions	[mm]	M18 x 1 / L = 80.4
Thread designation		M18 x 1
Material		stainless steel (1.4404 / 316L); PA; LCP; EPDM; TPU (urethane)
Lens material		PMMA
Displays / operating elements		
Display	Switching status	1 x LED, yellow
Accessories		
Items supplied		lock nuts: 2
Remarks		
Remarks		cULus - Class 2 source required
Pack quantity		1 pcs.
Electrical connection		
Cable: 2 m, PUR; 3 x 0.34 mm ²		
Connection		



Core colors :
BK = black
BN = brown
BU = blue