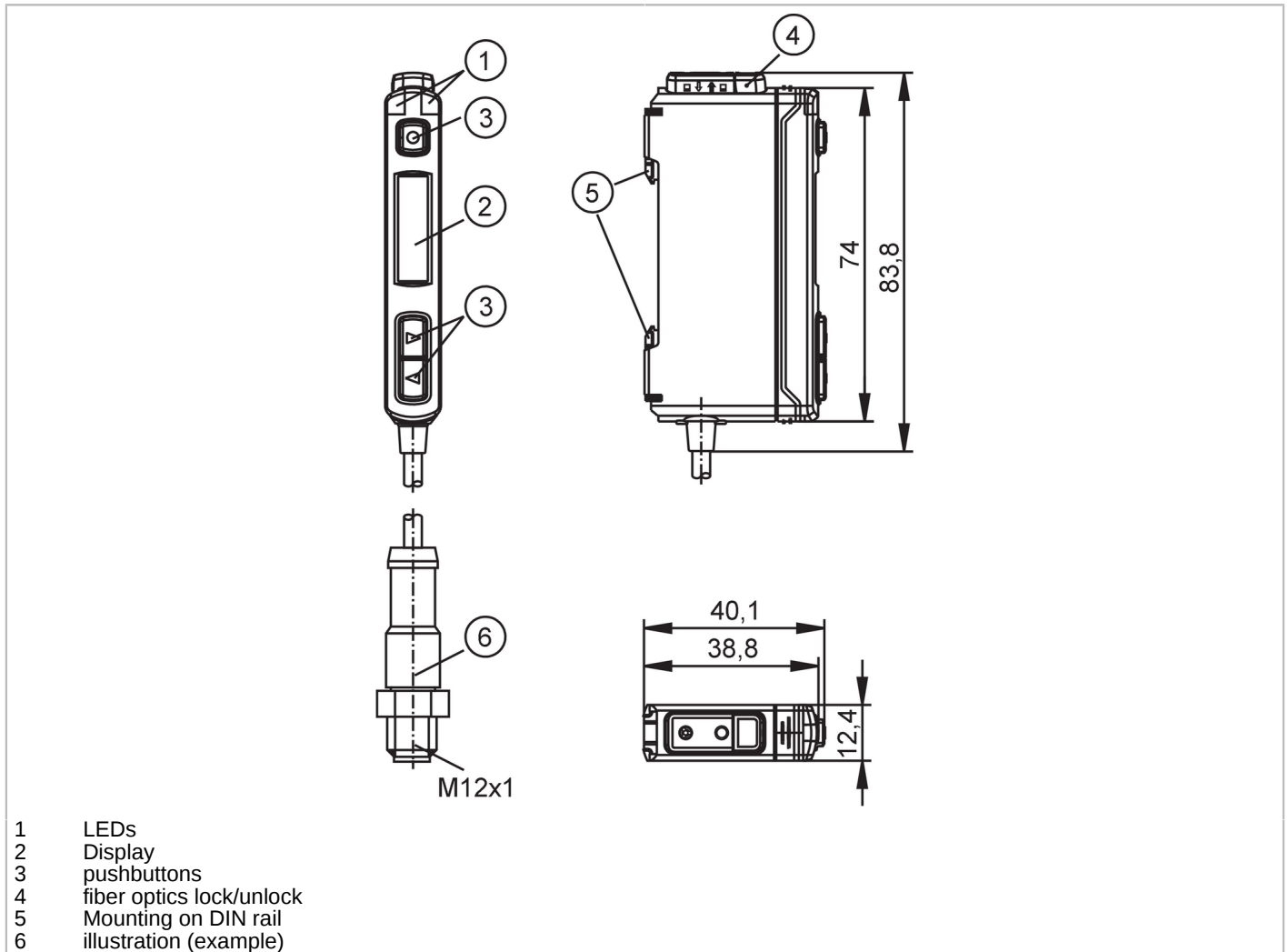


OCF502



Fiber optic sensor

OCF-FCKG/IO-Link/0,30M/US/4P



- 1 LEDs
- 2 Display
- 3 pushbuttons
- 4 fiber optics lock/unlock
- 5 Mounting on DIN rail
- 6 illustration (example)



Product characteristics

Type of light	red light
Housing	rectangular

Electrical data

Operating voltage	[V]	10...30 DC
Current consumption	[mA]	< 35
Protection class		III
Reverse polarity protection		yes
Type of light		red light
Wave length	[nm]	632

Inputs / outputs

Number of inputs and outputs	Number of digital outputs: 2
------------------------------	------------------------------

Outputs

Electrical design	PNP/NPN; (programmable)
Number of digital outputs	2
Output function	light-on/dark-on mode; (programmable)

OCF502



Fiber optic sensor

OCF-FCKG/IO-Link/0,30M/US/4P

Max. voltage drop switching output DC	[V]	2.5
Max. current load for function check output	[mA]	100
Switching frequency DC	[Hz]	20000
Short-circuit protection		yes
Type of short-circuit protection		yes (non-latching)
Overload protection		yes
Time function	[s]	1...9999

Monitoring range

Range	[m]	0...3.6; (Through-beam sensor E20703 (High Power))
Range	[mm]	0...1250; (diffuse reflection sensor E20633 (High Power))

Interfaces

Communication interface	IO-Link	
Transmission type	COM2 (38,4 kBaud)	
IO-Link revision	1.1	
SDCI standard	IEC 61131-9	
Profiles	Smart Sensor - SSP 4.1.1	Measuring and Switching Sensor, 1 channel
	Common - I&D	Identification and Diagnosis
	Extension	Sensor control
	Extension	Teach two point
	Extension	Teach dynamic
	Function	Locator
	Function	ProductURI
	Function	Teach recommended extension
SIO mode	yes	
Required master port class	A	
Min. process cycle time	[ms]	5
IO-Link process data (cyclical)	Function	bit length
	process value	16
	device status	4
	binary switching information	2
IO-Link functions (acyclical)	application specific tag; operating hours counter; switch-on cycle counter	
Supported DeviceIDs	Type of operation	DeviceID
	default	1702

Operating conditions

Ambient temperature	[°C]	-25...60
Protection		IP 65; (with connected fiber optics)

Tests / approvals

EMC	EN 60947-5-2	
MTTF	[years]	336

Mechanical data

Weight	[g]	100.45
Housing		rectangular
Dimensions	[mm]	83.8 x 12.4 x 40.1

OCF502



Fiber optic sensor

OCF-FCKG/IO-Link/0,30M/US/4P

Material housing: ABS modified

Displays / operating elements

Display	Switching status	1 x LED, yellow
	Power	1 x LED, green
	OLED display	

Remarks

Pack quantity 1 pcs.

Electrical connection

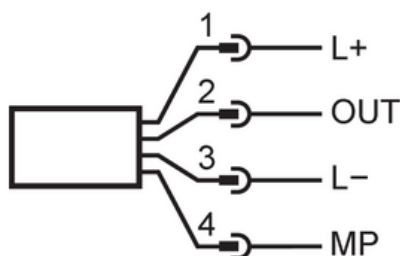
Cable: 0.3 m, PVC; 4 x 0.25 mm²

Electrical connection - plug

Connector: 1 x M12; coding: A



Connection



1	L+	
2	OUT	DO2 (NO/NC)
3	L-	
4	MP	DO1 (NO/NC), IO-Link

DO: digital output; MP: multi-function connection; NC: normally closed; NO: normally open