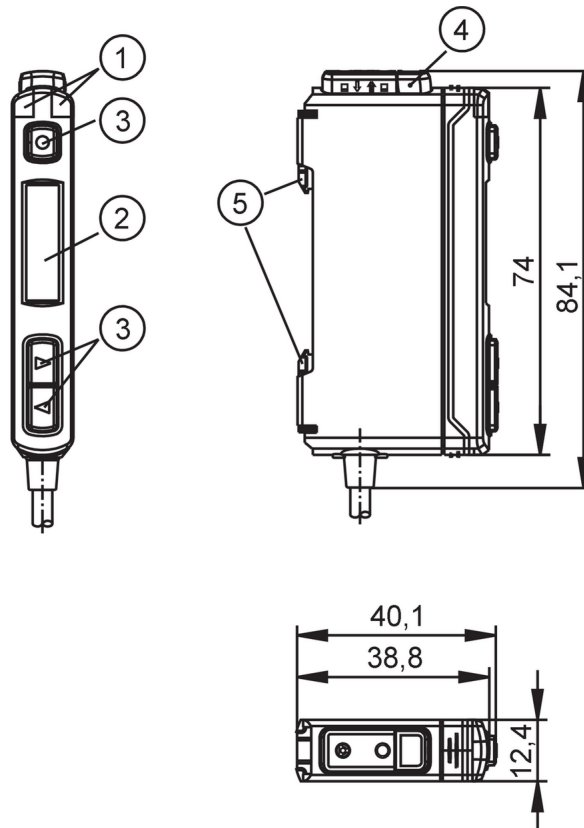


OCF500



Fiber optic sensor

OCF-FCKG/IO-Link/2,0M



- 1 LEDs
- 2 Display
- 3 pushbuttons
- 4 fiber optics lock/unlock
- 5 Mounting on DIN rail



Product characteristics

Type of light	red light
Housing	rectangular

Electrical data

Operating voltage	[V]	10...30 DC
Current consumption	[mA]	< 35
Protection class		III
Reverse polarity protection		yes
Type of light		red light
Wave length	[nm]	632

Inputs / outputs

Number of inputs and outputs	Number of digital outputs: 2
------------------------------	------------------------------

Outputs

Electrical design	PNP/NPN; (programmable)
Number of digital outputs	2
Output function	light-on/dark-on mode; (programmable)
Max. voltage drop switching output DC	[V] 2.5

OCF500



Fiber optic sensor

OCF-FCKG/IO-Link/2,0M

Max. current load for function check output [mA]	100
Switching frequency DC [Hz]	20000
Short-circuit protection	yes
Type of short-circuit protection	yes (non-latching)
Overload protection	yes
Time function [s]	1...9999

Monitoring range

Range [m]	0...3.6; (Through-beam sensor E20703 (High Power))
Range [mm]	0...1250; (diffuse reflection sensor E20633 (High Power))

Interfaces

Communication interface	IO-Link	
Transmission type	COM2 (38,4 kBaud)	
IO-Link revision	1.1	
SDCI standard	IEC 61131-9	
Profiles	Smart Sensor - SSP 4.1.1	Measuring and Switching Sensor, 1 channel
	Common - I&D	Identification and Diagnosis
	Extension	Sensor control
	Extension	Teach two point
	Extension	Teach dynamic
	Function	Locator
	Function	ProductURI
Function	Teach recommended extension	
SIO mode	yes	
Required master port class	A	
Min. process cycle time [ms]	5	
IO-Link process data (cyclical)	Function	bit length
	process value	16
	device status	4
	binary switching information	2
IO-Link functions (acyclical)	application specific tag; operating hours counter; switch-on cycle counter	
Supported DeviceIDs	Type of operation	DeviceID
	default	1702

Operating conditions

Ambient temperature [°C]	-25...60
Protection	IP 65; (with connected fiber optics)

Tests / approvals

EMC	EN 60947-5-2
MTTF [years]	336

Mechanical data

Weight [g]	135.8
Housing	rectangular
Dimensions [mm]	84.1 x 12.4 x 40.1
Material	housing: ABS modified

OCF500



Fiber optic sensor

OCF-FCKG/IO-Link/2,0M

Displays / operating elements

Display	Switching status	1 x LED, yellow
	Power	1 x LED, green
	OLED display	

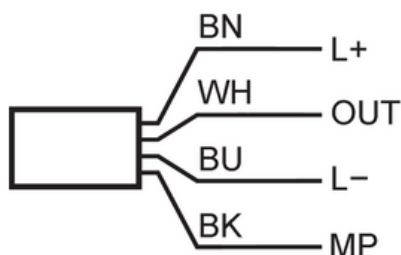
Remarks

Pack quantity	1 pcs.
---------------	--------

Electrical connection

Cable: 2 m, PVC; 4 x 0.25 mm²

Connection



BN:	brown
WH:	white
BU:	blue
BK:	black

BN	L+	
WH	OUT	DO2 (NO/NC)
BU	L-	
BK	MP	DO1 (NO/NC), IO-Link

DO: digital output; MP: multi-function connection; NC: normally closed; NO: normally open