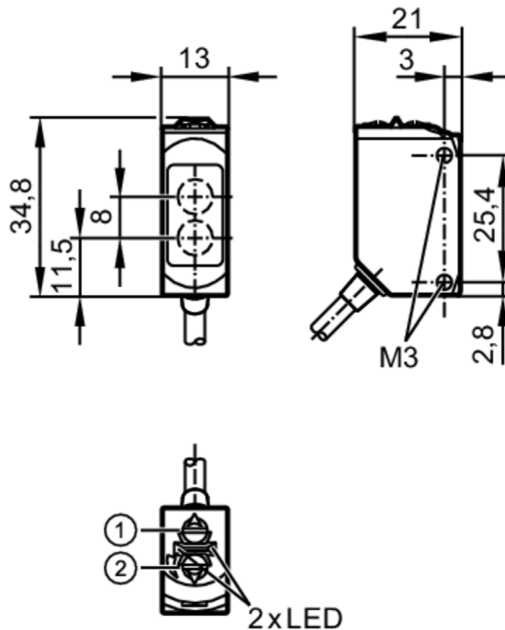


O6P301



Retro-reflective sensor

O6P-FPKG/0,30m/US



- 1 output function switch
- 1 potentiometer sensitivity
- Receiver in upper lens
- transmitter in lower lens



Product characteristics		
Type of light		red light
Housing		rectangular
Application		
System		polarization filter
Function principle		Retro-reflective sensor
Electrical data		
Operating voltage	[V]	10...30 DC
Current consumption	[mA]	12; ((24 V))
Protection class		III
Reverse polarity protection		yes
Type of light		red light
Wave length	[nm]	633
Outputs		
Electrical design		PNP
Output function		light-on/dark-on mode; (selectable)
Max. voltage drop switching output DC	[V]	2.5
Permanent current rating of switching output DC	[mA]	100
Switching frequency DC	[Hz]	1000
Short-circuit protection		yes

O6P301



Retro-reflective sensor

O6P-FPKG/0,30m/US

Type of short-circuit protection	yes (non-latching)
----------------------------------	--------------------

Monitoring range

Range referred to prismatic reflector [m]	0.05...5; (Prismatic reflector Ø 80 E20005)
Range adjustable	yes
Max. light spot diameter [mm]	150
Light spot dimensions refer to	at maximum range
Polarization filter available	yes

Operating conditions

Ambient temperature [°C]	-25...80
Protection	IP 65; IP 67; IP 68; IP 69K

Tests / approvals

EMC	EN 60947-5-2	
MTTF [years]		908
UL approval	Ta	-25...40 °C
	Enclosure type	Type 1
	voltage supply	Class 2
	UL approval number	E006

Mechanical data

Weight [g]	51.7
Housing	rectangular
Dimensions [mm]	34.8 x 13 x 21
Material	housing: stainless steel (1.4404 / 316L); plastics: PPSU; sealing: EPDM
Lens material	PMMA
Lens alignment	Side sensing
Tightening torque [Nm]	1; (screws)

Displays / operating elements

Display	Switching status	1 x LED, yellow
	Power	1 x LED, green

Remarks

Remarks	cULus - Class 2 source required
Pack quantity	1 pcs.

Electrical connection

Cable: 0.3 m, PVC; 3 x 0.25 mm²

Connector: 1 x M12; coding: A





Retro-reflective sensor

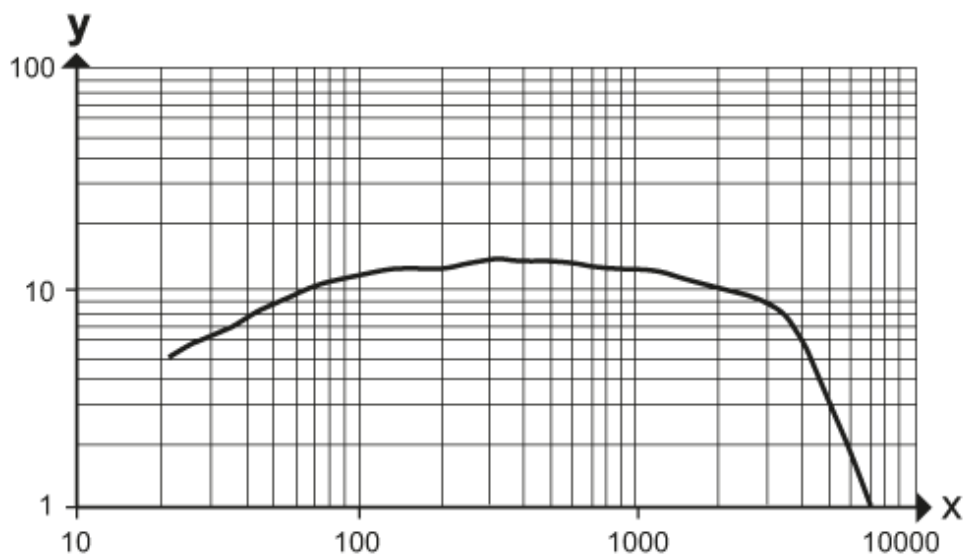
O6P-FPKG/0,30m/US

Connection



Diagrams and graphs

excess gain graph



x: distance [mm]

y: excess gain factor