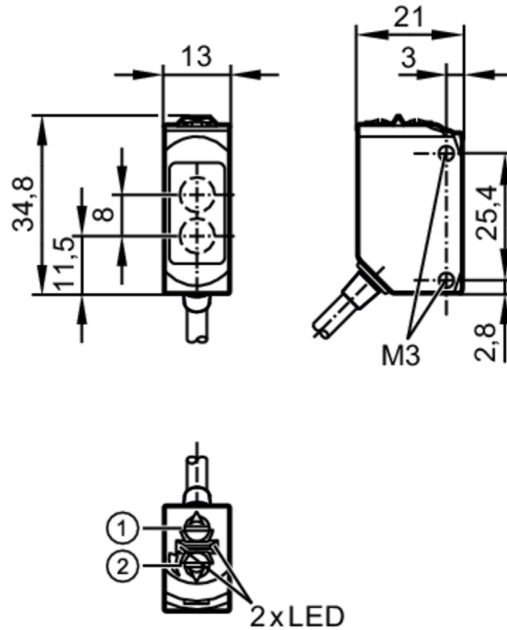


O6P300



Retro-reflective sensor

O6P-FPKG



- 1 output function switch
- 1 potentiometer sensitivity
- Receiver in upper lens
- transmitter in lower lens



Product characteristics

Type of light	red light
Housing	rectangular

Application

System	polarization filter
Function principle	Retro-reflective sensor

Electrical data

Operating voltage	[V]	10...30 DC
Current consumption	[mA]	12; ((24 V))
Protection class		III
Reverse polarity protection		yes
Type of light		red light
Wave length	[nm]	633

Outputs

Electrical design		PNP
Output function		light-on/dark-on mode; (selectable)
Max. voltage drop switching output DC	[V]	2.5
Permanent current rating of switching output DC	[mA]	100
Switching frequency DC	[Hz]	1000
Short-circuit protection		yes

O6P300



Retro-reflective sensor

O6P-FPKG

Type of short-circuit protection	yes (non-latching)	
Monitoring range		
Range referred to prismatic reflector [m]	0.05...5; (Prismatic reflector Ø 80 E20005)	
Range adjustable	yes	
Max. light spot diameter [mm]	150	
Light spot dimensions refer to	at maximum range	
Polarization filter available	yes	
Operating conditions		
Ambient temperature [°C]	-25...80	
Protection	IP 65; IP 67; IP 68; IP 69K	
Tests / approvals		
EMC	EN 60947-5-2	
MTTF [years]	908	
UL approval	Ta	-25...80 °C
	Enclosure type	Type 1
	voltage supply	Class 2
	UL approval number	E003
Mechanical data		
Weight [g]	81.5	
Housing	rectangular	
Dimensions [mm]	34.8 x 13 x 21	
Material	housing: stainless steel (1.4404 / 316L); plastics: PPSU; sealing: EPDM	
Lens material	PMMA	
Lens alignment	Side sensing	
Tightening torque [Nm]	1; (screws)	
Displays / operating elements		
Display	Switching status	1 x LED, yellow
	Power	1 x LED, green
Remarks		
Remarks	cULus - Class 2 source required	
Pack quantity	1 pcs.	

O6P300



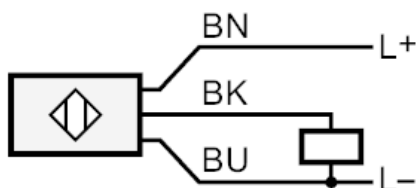
Retro-reflective sensor

O6P-FPKG

Electrical connection

Cable: 2 m, PVC; 3 x 0.25 mm²

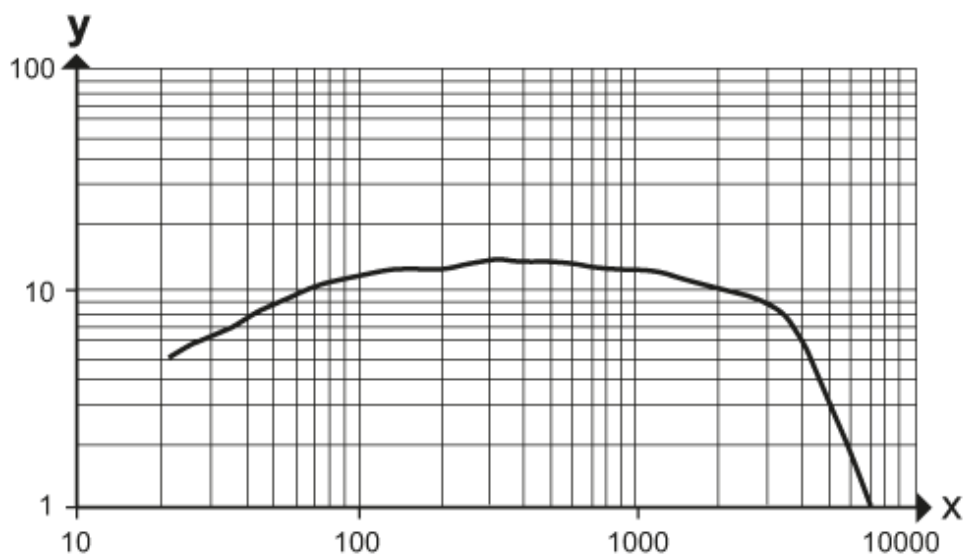
Connection



Core colors :
BN = brown
BK = black
BU = blue

Diagrams and graphs

excess gain graph



x: distance [mm]

y: excess gain factor