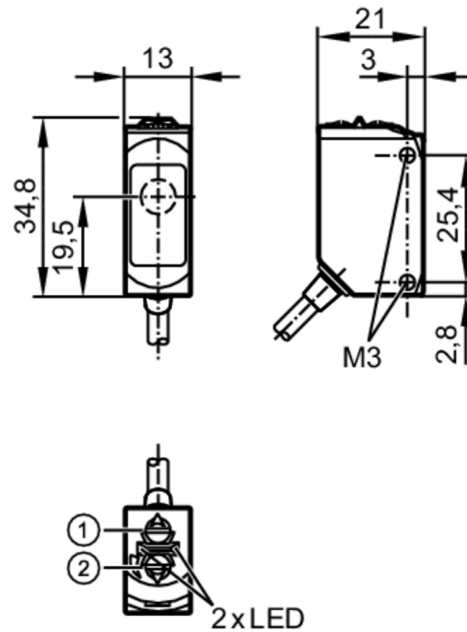


O6E301



Through-beam sensor receiver

O6E-FPKG/0,30m/US



- 1 output function switch
- 1 potentiometer sensitivity



Product characteristics

Type of light	red light
Housing	rectangular

Application

Function principle	Through-beam sensor
--------------------	---------------------

Electrical data

Operating voltage [V]	10...30 DC
Current consumption [mA]	7; ((24 V))
Protection class	III
Reverse polarity protection	yes
Type of light	red light
Wave length [nm]	633

Outputs

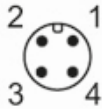
Electrical design	PNP
Output function	light-on/dark-on mode; (selectable)
Max. voltage drop switching output DC [V]	2.5
Permanent current rating of switching output DC [mA]	100
Switching frequency DC [Hz]	1000
Short-circuit protection	yes
Type of short-circuit protection	yes (non-latching)

O6E301



Through-beam sensor receiver

O6E-FPKG/0,30m/US

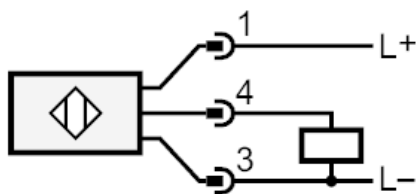
Monitoring range		
Transmitter / receiver		receiver
Range [m]		< 10
Range adjustable		yes
Operating conditions		
Ambient temperature [°C]		-25...80
Protection		IP 65; IP 67; IP 68; IP 69K
Tests / approvals		
EMC	EN 60947-5-2	
MTTF [years]		1014
UL approval	Ta	-25...40 °C
	Enclosure type	Type 1
	voltage supply	Class 2
	UL approval number	E006
Mechanical data		
Weight [g]		50.9
Housing		rectangular
Dimensions [mm]		34.8 x 13 x 21
Material		housing: stainless steel (1.4404 / 316L); plastics: PPSU; sealing: EPDM
Lens material		PMMA
Lens alignment		Side sensing
Tightening torque [Nm]		1; (screws)
Displays / operating elements		
Display	Switching status	1 x LED, yellow
	Power	1 x LED, green
Remarks		
Remarks		cULus - Class 2 source required
Pack quantity		1 pcs.
Electrical connection		
Cable: 0.3 m, PVC; 3 x 0.25 mm ²		
Connector: 1 x M12; coding: A		
		



Through-beam sensor receiver

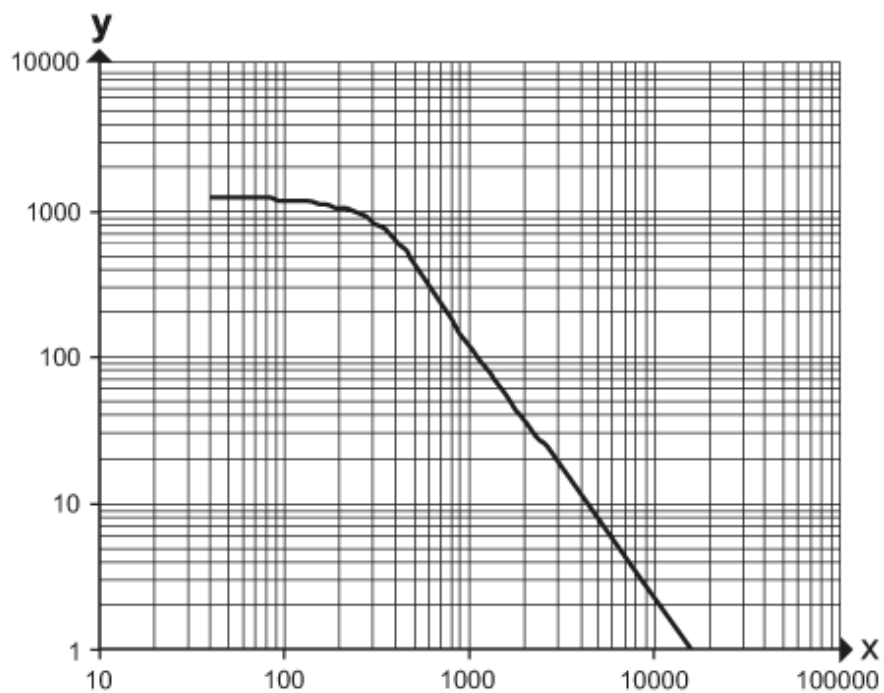
O6E-FPKG/0,30m/US

Connection



Diagrams and graphs

excess gain graph



x: distance [mm]

y: excess gain factor