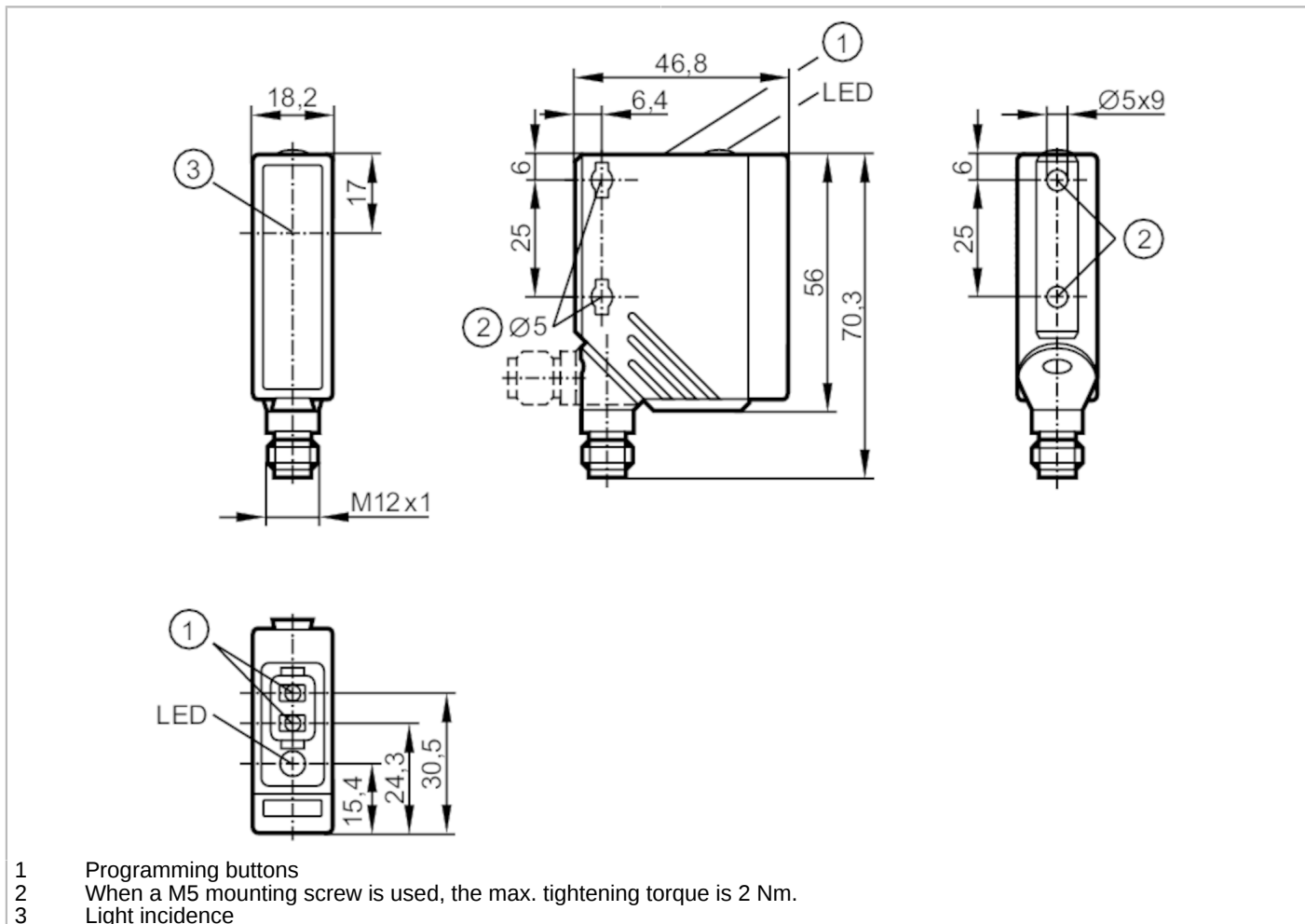


# O5E502



## Through-beam sensor receiver

O5E-FNKG/US100



### Product characteristics

Type of light	red light
Housing	rectangular

### Application

Function principle	Through-beam sensor
--------------------	---------------------

### Electrical data

Operating voltage [V]	10...36 DC
Current consumption [mA]	11
Protection class	II
Reverse polarity protection	yes
Type of light	red light

### Outputs

Electrical design	NPN
Output function	light-on/dark-on mode; (programmable)
Max. voltage drop switching output DC [V]	2.5
Permanent current rating of switching output DC [mA]	200

# O5E502



## Through-beam sensor receiver

O5E-FNKG/US100

Switching frequency DC [Hz]	1000
Short-circuit protection	yes
Type of short-circuit protection	yes (non-latching)
Overload protection	yes

### Monitoring range

Transmitter / receiver	receiver
Range [m]	< 25
Range adjustable	yes

### Operating conditions

Ambient temperature [°C]	-25...60
Protection	IP 67

### Tests / approvals

EMC	EN 60947-5-2
MTTF [years]	914

### Mechanical data

Weight [g]	67.5
Housing	rectangular
Dimensions [mm]	56 x 18.2 x 46.8
Material	housing: PA; Front framework: stainless steel; operator interface: TPU (urethane)
Lens material	PMMA
Lens alignment	Side sensing

### Displays / operating elements

Display	Switching status	1 x LED, yellow
Teach function		yes
Electronic lock		yes

### Remarks

Remarks	cULus - Class 2 source required
Pack quantity	1 pcs.

### Electrical connection

Connector: 1 x M12; coding: A





## Through-beam sensor receiver

O5E-FNKG/US100

### Connection



### Diagrams and graphs

excess gain graph

