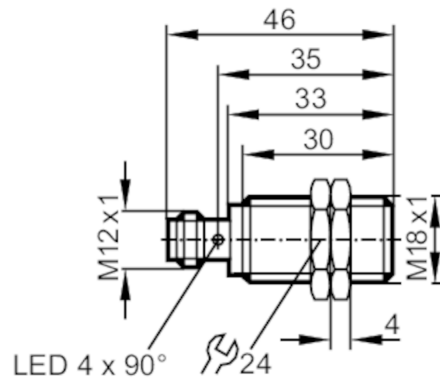


# NG501A



## Inductive NAMUR sensor

IGB2008BN/US/1G/1D



Product characteristics	
Electrical design	NAMUR
Output function	normally closed
Sensing range [mm]	8
Housing	Threaded type
Dimensions [mm]	M18 x 1 / L = 46
Electrical data	
Connection at circuit amplifier	yes
Switching amplifiers	connection to certified intrinsically safe circuits with the max. values: U = 15 V / I = 50 mA / P = 120 mW
Nominal voltage DC [V]	8.2; (1kΩ)
Supply voltage DC [V]	7.5...30; (when used outside the hazardous area)
Current consumption [mA]	< 1; (disabled; conductive: > 2,1)
Protection class	II
Outputs	
Electrical design	NAMUR
Output function	normally closed
Permanent current rating of switching output DC [mA]	30; (when used outside the hazardous area)
Switching frequency DC [Hz]	400
Monitoring range	
Sensing range [mm]	8
Real sensing range Sr [mm]	8 ± 10 %
Operating distance [mm]	0...6.48
Accuracy / deviations	
Correction factor	steel: 1 / stainless steel: 0.7 / brass: 0.5 / aluminum: 0.4 / copper: 0.3
Hysteresis [% of Sr]	1...15
Switch-point drift [% of Sr]	-10...10
Operating conditions	
Ambient temperature [°C]	-20...70

# NG501A



## Inductive NAMUR sensor

IGB2008BN/US/1G/1D

Protection	IP 66; IP 67
------------	--------------

### Tests / approvals

Approval	BVS 04 ATEX E 091 X; IECEx BVS 06.0003X
ATEX marking	II 1G Ex ia IIC T6 Ga
	II 1D Ex ia IIIC T200 90°C Da
EMC	EN 60947-5-6
Shock/vibration resistance	30 g (11 ms) / 10-55 Hz (1 mm)
MTTF [years]	3387

### Safety classification

Max. internal capacitance [nF]	200
Max. internal inductance [μH]	190

### Mechanical data

Weight [g]	90
Housing	Threaded type
Mounting	flush mountable
Dimensions [mm]	M18 x 1 / L = 46
Thread designation	M18 x 1
Material	housing: brass special coating; sensing face: PBT; LED window: PA

### Displays / operating elements

Display	Switching status	4 x 90° LED, yellow
---------	------------------	---------------------

### Accessories

Items supplied	lock nuts: 2
----------------	--------------

### Remarks

Pack quantity	1 pcs.
---------------	--------

### Electrical connection - plug

Connector: 1 x M12; coding: A



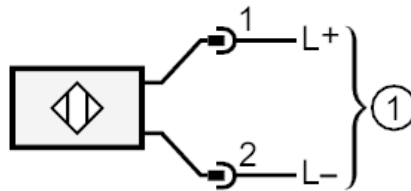
# NG501A



## Inductive NAMUR sensor

IGB2008BN/US/1G/1D

### Connection



1 = connection to NAMUR-amplifier