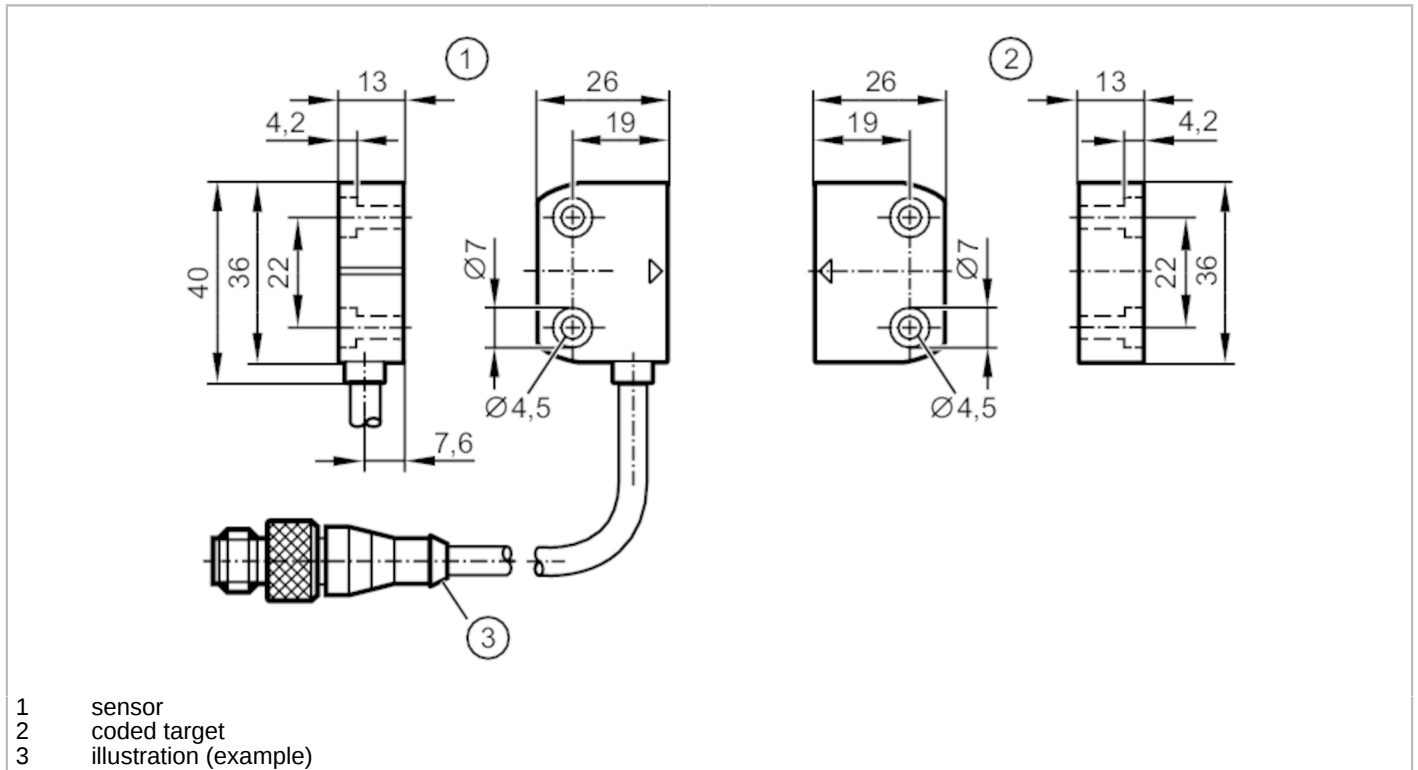


MN203S



Magnetically coded sensor

MN14005-AKOG/0.1m/-H/US



Product characteristics	
Output function	2 x normally open; (potential-free)
Sensing range [mm]	5; (with defined actuator)
Housing	rectangular
Dimensions [mm]	36 x 13 x 26
Application	
Design	coded target
Type of operation	permanent operation
Electrical data	
Operating voltage [V]	24 DC
Rated insulation voltage [V]	60
Protection class	III
Reverse polarity protection	no
Internal resistance (Ri) [Ω]	10; (1 W)
Outputs	
Output function	2 x normally open; (potential-free)
Permanent current rating of switching output DC [mA]	50
Switching frequency DC [Hz]	150
Output data	Interface type A
Short-circuit proof	no
Max. capacitive load CL_max [nF]	20

MN203S



Magnetically coded sensor

MN14005-AKOG/0.1m/-H/US

Monitoring range		
Sensing range	[mm]	5; (with defined actuator)
Safe switching-off distance s(ar)	[mm]	15
Reaction times		
Response time to safety request	[ms]	10
Max. fall time	[ms]	0.1
Max. make time incl. bounce	[ms]	0.6
Operating conditions		
Applications		Class C to EN 60654-1 weatherproof application
Ambient temperature	[°C]	-25...80
Note on ambient temperature		operational life ≤ 87600 h
Ambient temperature	[°C]	10...40
Note on ambient temperature		operational life ≤ 175200 h
Max. relative air humidity	[%]	briefly: 5...95 %; permanent: 5...70 %
Air pressure	[kPa]	80...106
Max. height above sea level	[m]	2000
Salt spray		no
Protection		IP 67; IP 69K; (protected cable laying)
Tests / approvals		
EMC	IEC 60947-5-1	
Shock resistance	EN 60068-2-27	30 g (11 ms)
Vibration resistance	IEC 60068-2-6	10 g (10...55 Hz)
Safety classification		
Mission time TM	[h]	≤ 175200
Mission time TM (additional indication)		20 years
B10D		20.000.000; (without load; at max. load DC 12, 24 V, 50 mA: 400.000)
Mechanical data		
Weight	[g]	130
Housing		rectangular
Mounting		non-flush mountable
Dimensions	[mm]	36 x 13 x 26
Material		PA
Tightening torque	[Nm]	0.8...2
Accessories		
Items supplied		coded target cover caps: 4
Remarks		
Remarks		In connection with a G150xS / AC4x2S type evaluation unit, it is possible to reach up to PL e (ISO 13849-1) or SIL cl 3 (IEC 62061)
Pack quantity		1 pcs.

MN203S



Magnetically coded sensor

MN14005-AKOG/0.1m/-H/US

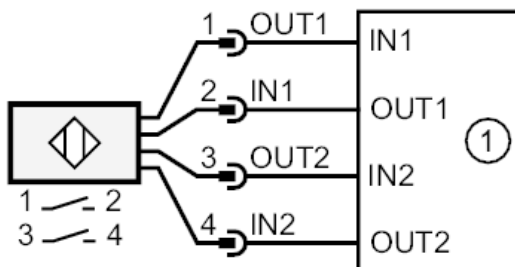
Electrical connection - plug

Cable: 0.1 m, PVC, Ø 5 mm

Connector: 1 x M12; coding: A



Connection



1: Safety-related logic unit