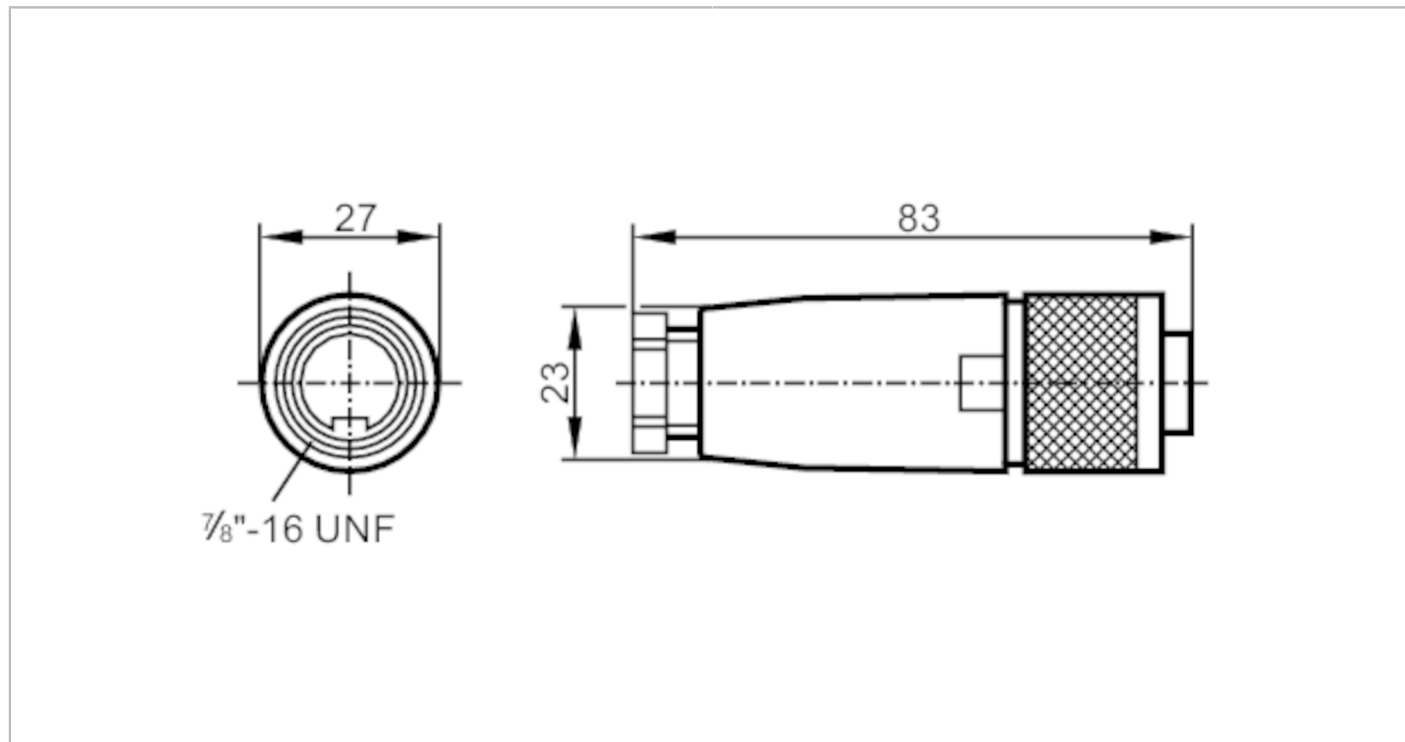


L34121



Female wirable connectors

SDOGB050ALSFKPG



Electrical data

Operating voltage	[V]	< 600 AC
Max. current load total	[A]	9

Operating conditions

Ambient temperature	[°C]	-40...90
Protection		IP 67

Mechanical data

Weight	[g]	45.359
Dimensions	[mm]	27 x 27 x 83
Molded-body material		PA 6.6
Material nut		aluminum, black anodized

Remarks

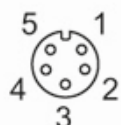
Remarks		Pin 2 leading
Pack quantity		1 pcs.

Electrical connection

terminals: ...1.5 mm²; Cable sheath: Ø 5...13 mm

Electrical connection - Socket

Connector: 1 x 7/8", straight; coding: A; Moulded body: PA 6.6; Locking: aluminum, black anodized



L34121



Female wirable connectors

SDOGB050ALSFKPG

Connection

