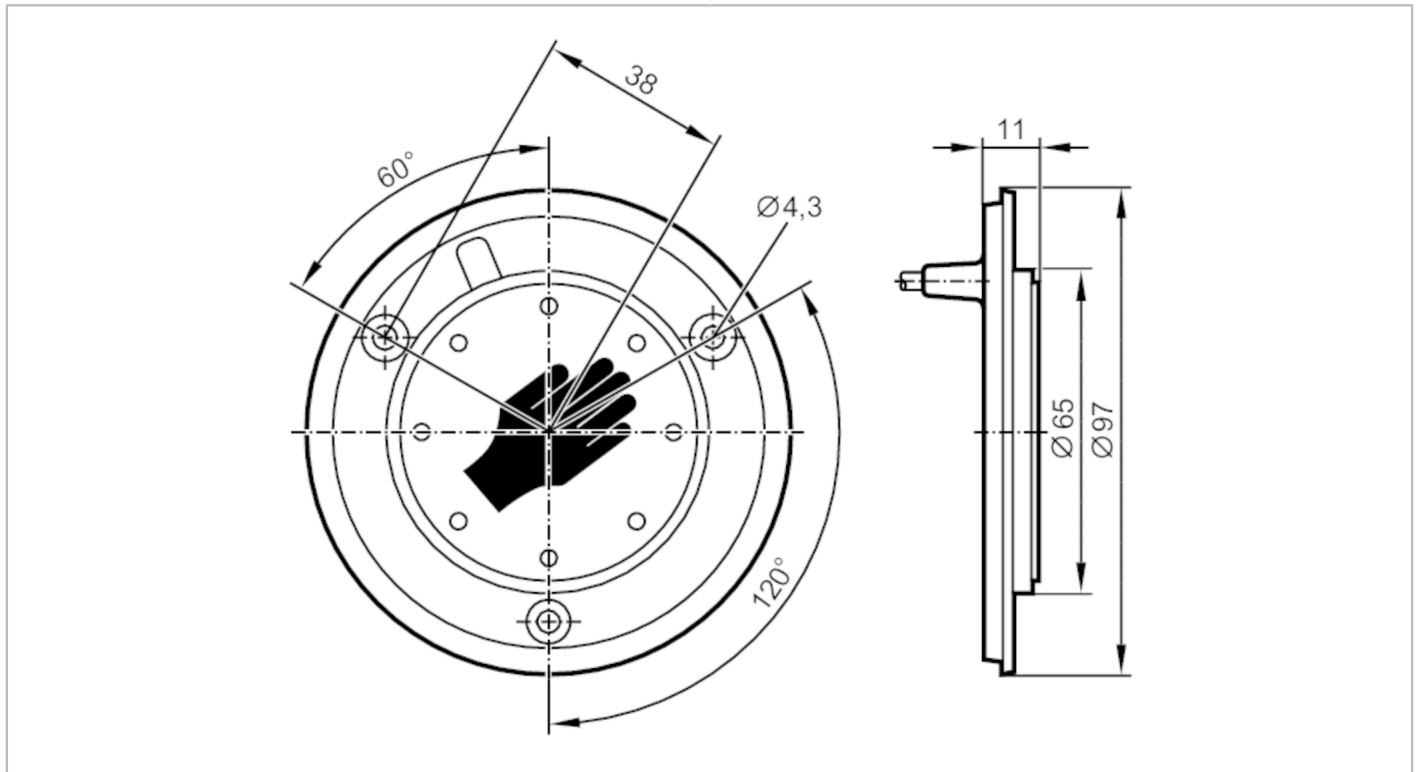


KT5020



Capacitive touch sensor

KTRDHOKGRBPKG/AM/US/0,3M



Product characteristics

Electrical design	PNP
Output function	normally open
Housing	tubular
Dimensions [mm]	Ø 97 / L = 11

Application

Principle of operation	dynamic
------------------------	---------

Electrical data

Operating voltage [V]	12...30 DC
Current consumption [mA]	30
Protection class	III
Reverse polarity protection	yes
Max. power-on delay time [ms]	500

Outputs

Electrical design	PNP
Output function	normally open
Permanent current rating of switching output DC [mA]	200
Short-circuit protection	yes
Overload protection	yes
Length of output signal [ms]	300

Reaction times

Response time [ms]	35
--------------------	----

KT5020



Capacitive touch sensor

KTRDHOKGRBPKG/AM/US/0,3M

Operating conditions		
Ambient temperature	[°C]	-40...85
Protection		IP 67; IP 69K; (on the front)
Mechanical data		
Weight	[g]	136.5
Housing		tubular
Dimensions	[mm]	Ø 97 / L = 11
Material		actuating surface: PA Grilamid TR 90UV transparent; housing: PC/ABS black
Displays / operating elements		
Display	Switching status	8 x LED, red
	Function	8 x LED, green can be activated via PIN 2
Accessories		
Accessories (optional)		surround in different colors
Remarks		
Pack quantity		1 pcs.

Electrical connection

Cable: 0.3 m, PUR

Electrical connection - plug

Connector: 1 x M12; coding: A



Connection

