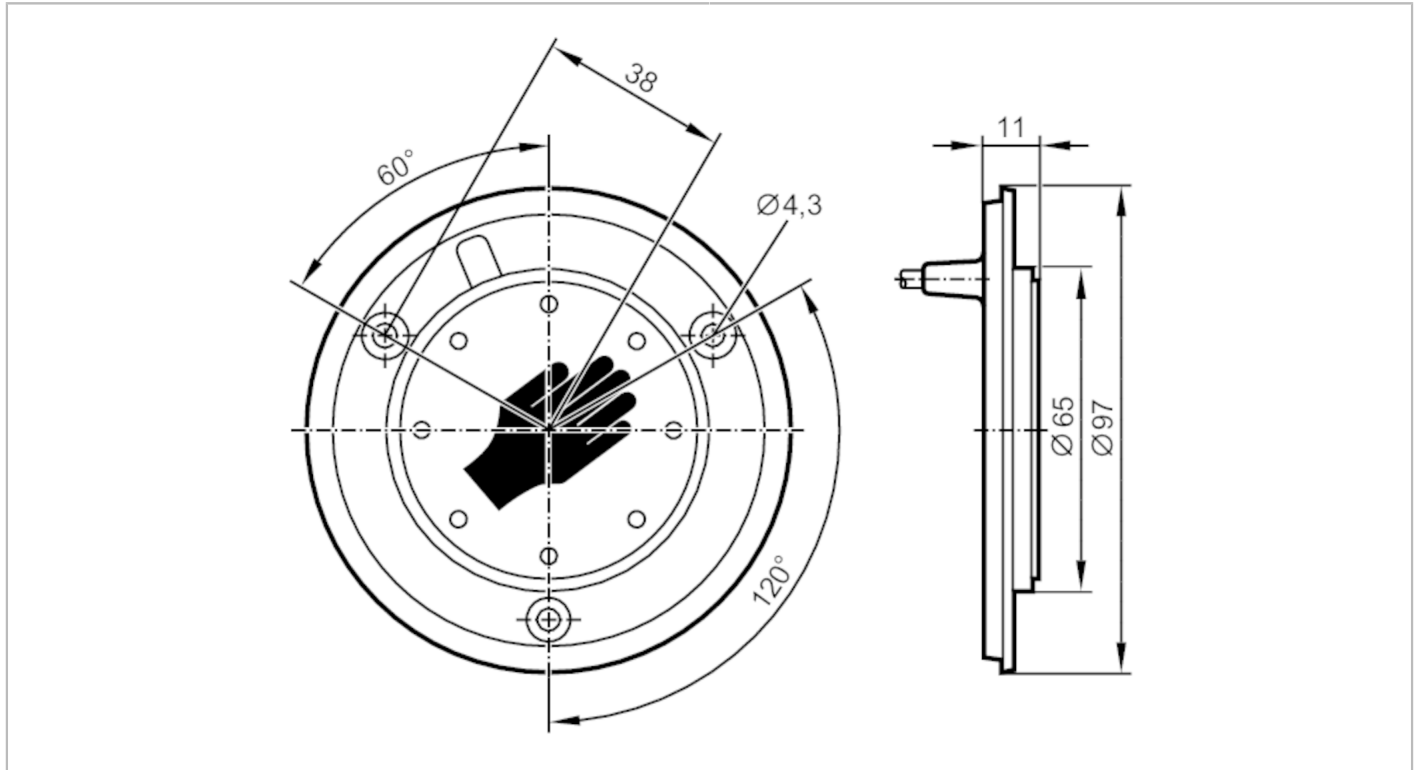


# KT5011



## Capacitive touch sensor

KTRDHOK-RBPKG/AM/AS/0,3M



### Product characteristics

Electrical design		PNP
Output function		normally open
Housing		tubular
Dimensions	[mm]	Ø 96.9 / L = 11

### Application

Principle of operation		dynamic
------------------------	--	---------

### Electrical data

Operating voltage	[V]	12...30 DC
Current consumption	[mA]	30
Protection class		III
Reverse polarity protection		yes
Max. power-on delay time	[ms]	500

### Outputs

Electrical design		PNP
Output function		normally open
Permanent current rating of switching output DC	[mA]	200
Short-circuit protection		yes
Overload protection		yes
Length of output signal	[ms]	300

### Reaction times

Response time	[ms]	35
---------------	------	----

# KT5011



## Capacitive touch sensor

KTRDHOK-RBPKG/AM/AS/0,3M

### Operating conditions

Ambient temperature	[°C]	-40...85
Protection		IP 67; IP 69K; (on the front)

### Tests / approvals

MTTF	[years]	490.4
------	---------	-------

### Mechanical data

Weight	[g]	114
Housing		tubular
Dimensions	[mm]	Ø 96.9 / L = 11
Material		actuating surface: PA Grilamid TR 90UV transparent; housing: PC/ABS black

### Displays / operating elements

Display	Switching status	8 x LED, red
	Power	8 x LED, green

### Accessories

Accessories (optional)	surround in different colors
------------------------	------------------------------

### Remarks

Pack quantity	1 pcs.
---------------	--------

### Electrical connection - plug

Cable: 0.3 m, PUR

Connector: 1 x M8; coding: A



### Connection

