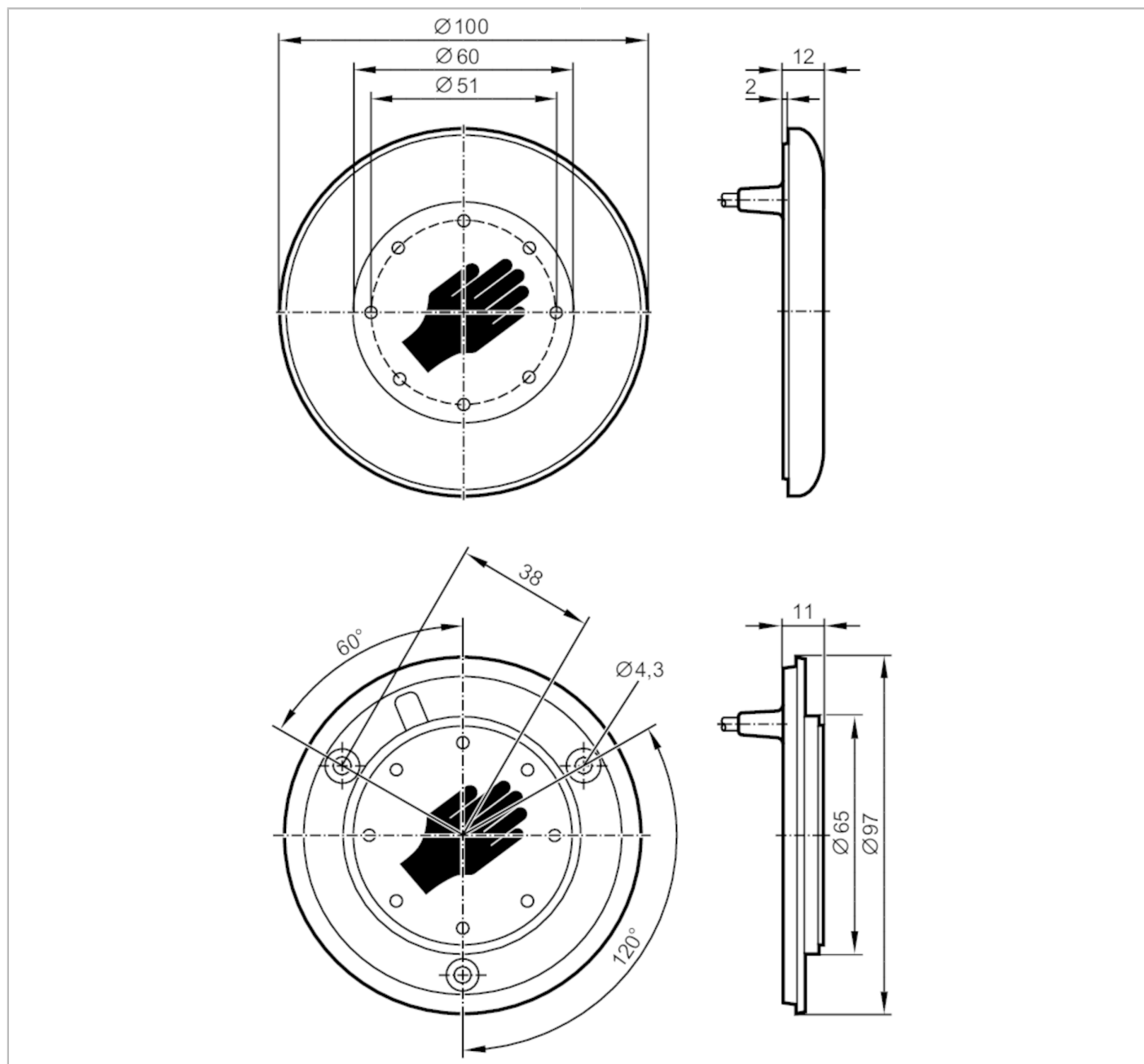


# KT5002



## Capacitive touch sensor

KTRDHMK-RBPKG/AM/AS/0,3M



### Product characteristics

Electrical design	PNP
Output function	normally open
Housing	tubular
Dimensions [mm]	Ø 100 / L = 11

### Application

Principle of operation	dynamic
------------------------	---------

### Electrical data

Operating voltage [V]	12...30 DC
Current consumption [mA]	30

# KT5002



## Capacitive touch sensor

KTRDHMK-RBPKG/AM/AS/0,3M

Protection class	III
Reverse polarity protection	yes
Max. power-on delay time [ms]	500

### Outputs

Electrical design	PNP
Output function	normally open
Permanent current rating of switching output DC [mA]	200
Short-circuit protection	yes
Overload protection	yes
Length of output signal [ms]	300

### Reaction times

Response time [ms]	35
--------------------	----

### Operating conditions

Ambient temperature [°C]	-40...85
Protection	IP 67; IP 69K; (on the front)

### Tests / approvals

MTTF [years]	391
--------------	-----

### Mechanical data

Weight [g]	131
Housing	tubular
Dimensions [mm]	Ø 100 / L = 11
Material	actuating surface: PA Grilamid TR 90UV transparent; housing: PC/ABS black; Colored surround: PC/ABS green

### Displays / operating elements

Display	Switching status	8 x LED, red
	Power	8 x LED, green

### Accessories

Accessories (optional)	surround in different colors
------------------------	------------------------------

### Remarks

Pack quantity	1 pcs.
---------------	--------

### Electrical connection - plug

Cable: 0.3 m, PUR

Connector: 1 x M8; coding: A



# KT5002



## Capacitive touch sensor

KTRDHMK-RBPKG/AM/AS/0,3M

### Connection

