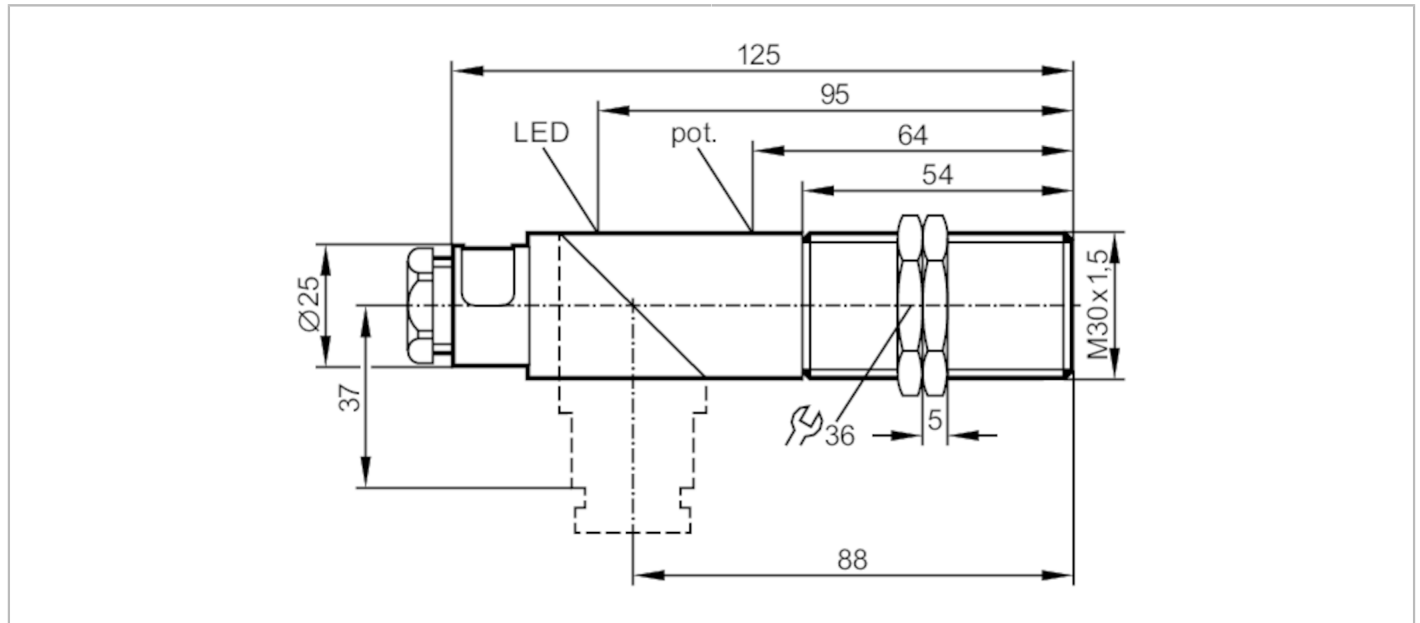


KI0205



Capacitive sensor

KIE2015-FBOA/NI RT



Product characteristics	
Output function	normally open / closed; (selectable)
Sensing range [mm]	3...15
Housing	Threaded type
Dimensions [mm]	M30 x 1.5 / L = 125
Electrical data	
Operating voltage [V]	20...250 AC/DC
Protection class	II
Reverse polarity protection	no
Outputs	
Output function	normally open / closed; (selectable)
Max. voltage drop switching output DC [V]	8
Max. voltage drop switching output AC [V]	10
Minimum load current [mA]	5
Max. leakage current [mA]	2.5 (250 V AC) / 1.7 (110 V AC) / 1.5 (24 V DC)
Permanent current rating of switching output AC [mA]	200; (for UL application: 250 / 100 DC)
Permanent current rating of switching output DC [mA]	200; (for UL application: 250 AC / 100 DC)
Short-time current rating of switching output [mA]	1500; (20 ms / 0,5 Hz)
Switching frequency AC [Hz]	25
Switching frequency DC [Hz]	40
Short-circuit proof	no
Overload protection	no

KI0205



Capacitive sensor

KIE2015-FBOA/NI RT

Monitoring range		
Sensing range [mm]		3...15
Sensing range adjustable		yes
Factory setting sensing range [mm]		15
Real sensing range Sr [mm]		15 ± 10 %
Operating distance [mm]		0...12.1
Accuracy / deviations		
Correction factor		glass: 0.4 / water: 1 / ceramics: 0.2 / PVC: 0.2
Hysteresis [% of Sr]		1...15
Switch-point drift [% of Sr]		-15...15
Operating conditions		
Ambient temperature [°C]		-25...70
Protection		IP 65
Increased immunity		yes; (Increased immunity to conducted radio frequency interference)
Tests / approvals		
EMC	EN 60947-5-2	
MTTF [years]		468
Mechanical data		
Weight [g]		136
Housing		Threaded type
Mounting		non-flush mountable
Dimensions [mm]		M30 x 1.5 / L = 125
Thread designation		M30 x 1.5
Material		PBT; bevelled housing part: PC
Displays / operating elements		
Display	Switching status	1 x LED, red
Electrical connection		
Required protection		miniature fuse to IEC60127-2 sheet 1; ≤ 2 A; fast acting
Accessories		
Items supplied		lock nuts: 2
Remarks		
Remarks		Recommendation: check the unit for reliable function after a short circuit.
Pack quantity		1 pcs.

KI0205



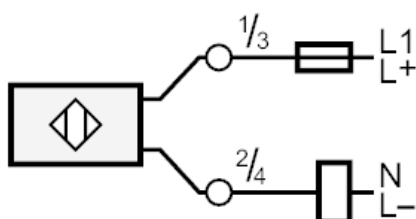
Capacitive sensor

KIE2015-FBOA/NI RT

Electrical connection

terminals: ...2.5 mm²; Cable sheath: Ø 7...13 mm; Cable gland: M20 X 1.5

Connection



Note miniature fuse to IEC60127-2 sheet 1 \leq 2 A fast acting