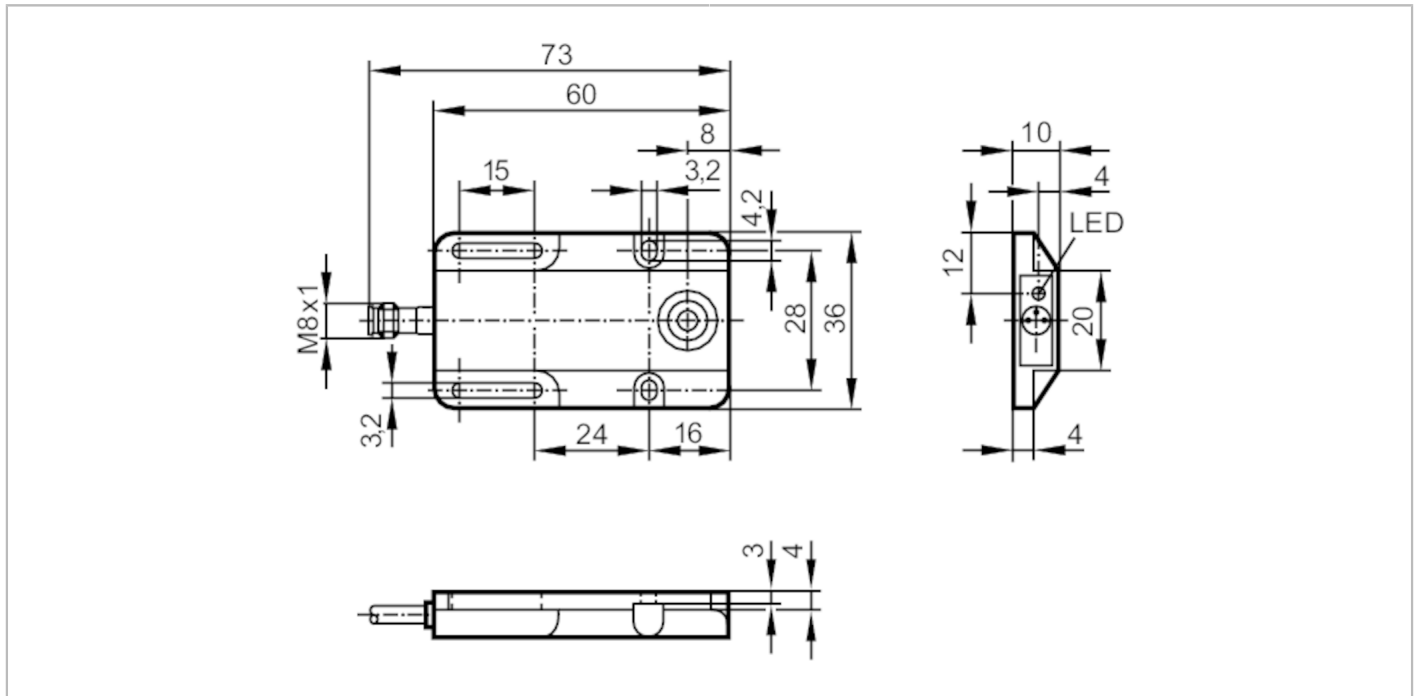


# IW5064



## Inductive sensor

IW-3008-BPKG/AS-610-TPS



### Product characteristics

Electrical design		PNP
Output function		normally open
Sensing range	[mm]	8
Housing		rectangular
Dimensions	[mm]	60 x 36 x 10

### Electrical data

Operating voltage	[V]	10...36 DC
Current consumption	[mA]	15; (24 V)
Protection class		III
Reverse polarity protection		yes

### Outputs

Electrical design		PNP
Output function		normally open
Max. voltage drop switching output DC	[V]	2.5
Permanent current rating of switching output DC	[mA]	250
Switching frequency DC	[Hz]	300
Short-circuit protection		yes
Type of short-circuit protection		yes (non-latching)
Overload protection		yes

### Monitoring range

Sensing range	[mm]	8
---------------	------	---

# IW5064



## Inductive sensor

IW-3008-BPKG/AS-610-TPS

Real sensing range Sr	[mm]	8 ± 10 %
Operating distance	[mm]	0...6.5

### Accuracy / deviations

Correction factor		steel: 1 / stainless steel: 0.7 / brass: 0.4 / aluminum: 0.3 / copper: 0.2
Hysteresis	[% of Sr]	1...15
Switch-point drift	[% of Sr]	-10...10

### Operating conditions

Ambient temperature	[°C]	-20...80
Protection		IP 65

### Tests / approvals

EMC	EN 60947-5-2	
	EN 55011	class B
MTTF	[years]	2526
UL approval	Ta	0...40 °C
	Enclosure type	Type 1
	File number UL	E174191

### Mechanical data

Weight	[g]	24.8
Housing		rectangular
Mounting		non-flush mountable
Dimensions	[mm]	60 x 36 x 10
Material		PBT

### Displays / operating elements

Display	Switching status	1 x LED, yellow
---------	------------------	-----------------

### Remarks

Pack quantity		1 pcs.
---------------	--	--------

### Electrical connection - plug

Connector: 1 x M8; coding: A



# IW5064



## Inductive sensor

IW-3008-BPKG/AS-610-TPS

### Connection

