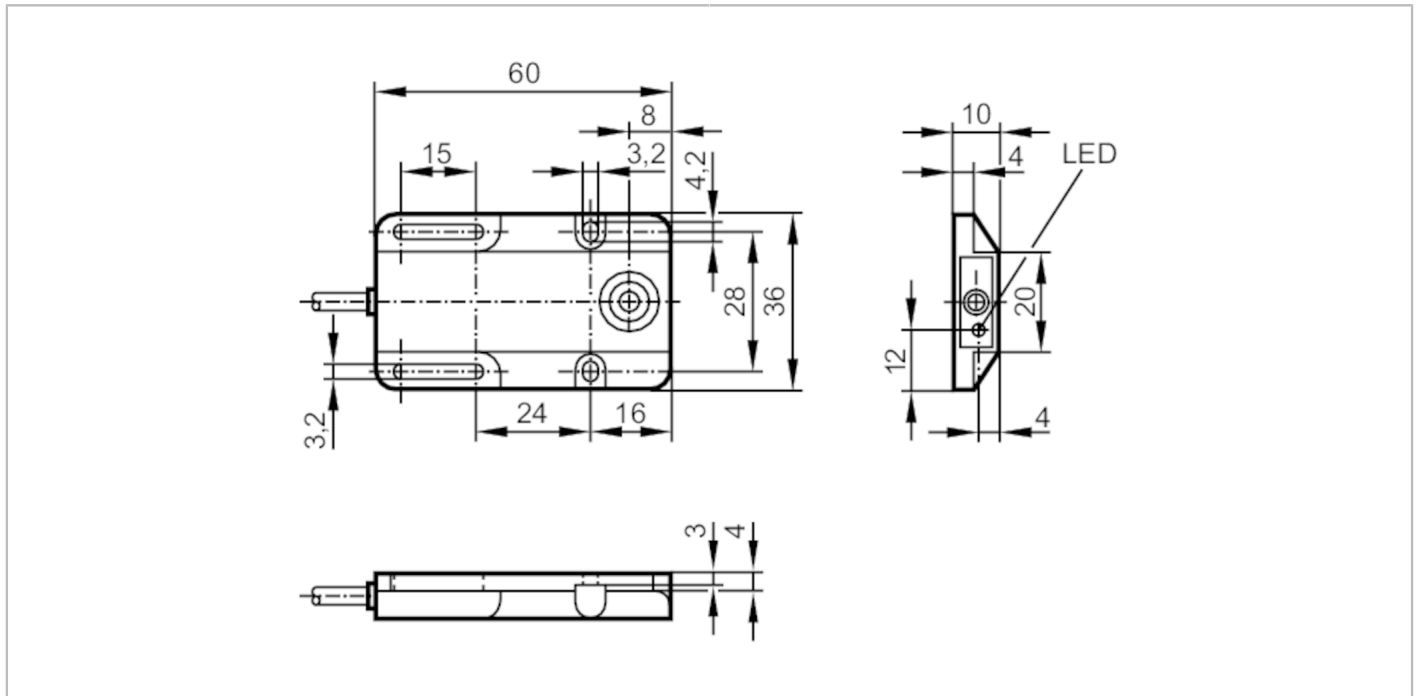


IW5008



Inductive sensor

IW-3008-ANKG



Product characteristics		
Electrical design		NPN
Output function		normally open
Sensing range	[mm]	8
Housing		rectangular
Dimensions	[mm]	60 x 36 x 10
Electrical data		
Operating voltage	[V]	10...36 DC
Current consumption	[mA]	15; (24 V)
Protection class		II
Reverse polarity protection		yes
Outputs		
Electrical design		NPN
Output function		normally open
Max. voltage drop switching output DC	[V]	2.5
Permanent current rating of switching output DC	[mA]	250
Switching frequency DC	[Hz]	120
Short-circuit protection		yes
Type of short-circuit protection		yes (non-latching)
Overload protection		yes
Monitoring range		
Sensing range	[mm]	8

IW5008



Inductive sensor

IW-3008-ANKG

Real sensing range Sr	[mm]	8 ± 10 %
Operating distance	[mm]	0...6.5

Accuracy / deviations		
Correction factor		steel: 1 / stainless steel: 0.7 / brass: 0.4 / aluminum: 0.3 / copper: 0.2
Hysteresis	[% of Sr]	1...15
Switch-point drift	[% of Sr]	-10...10

Operating conditions		
Ambient temperature	[°C]	-25...80
Protection		IP 67

Tests / approvals		
EMC	EN 60947-5-2	
	EN 55011	class B
MTTF	[years]	1745

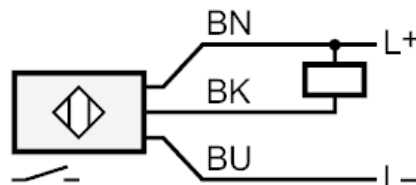
Mechanical data		
Weight	[g]	58.6
Housing		rectangular
Mounting		non-flush mountable
Dimensions	[mm]	60 x 36 x 10
Material		PBT

Displays / operating elements		
Display	Switching status	1 x LED, yellow

Remarks		
Pack quantity		1 pcs.

Electrical connection		
Cable: 2 m, PVC; 3 x 0.14 mm ²		

Connection



Core colors :
BN = brown
BU = blue
BK = black