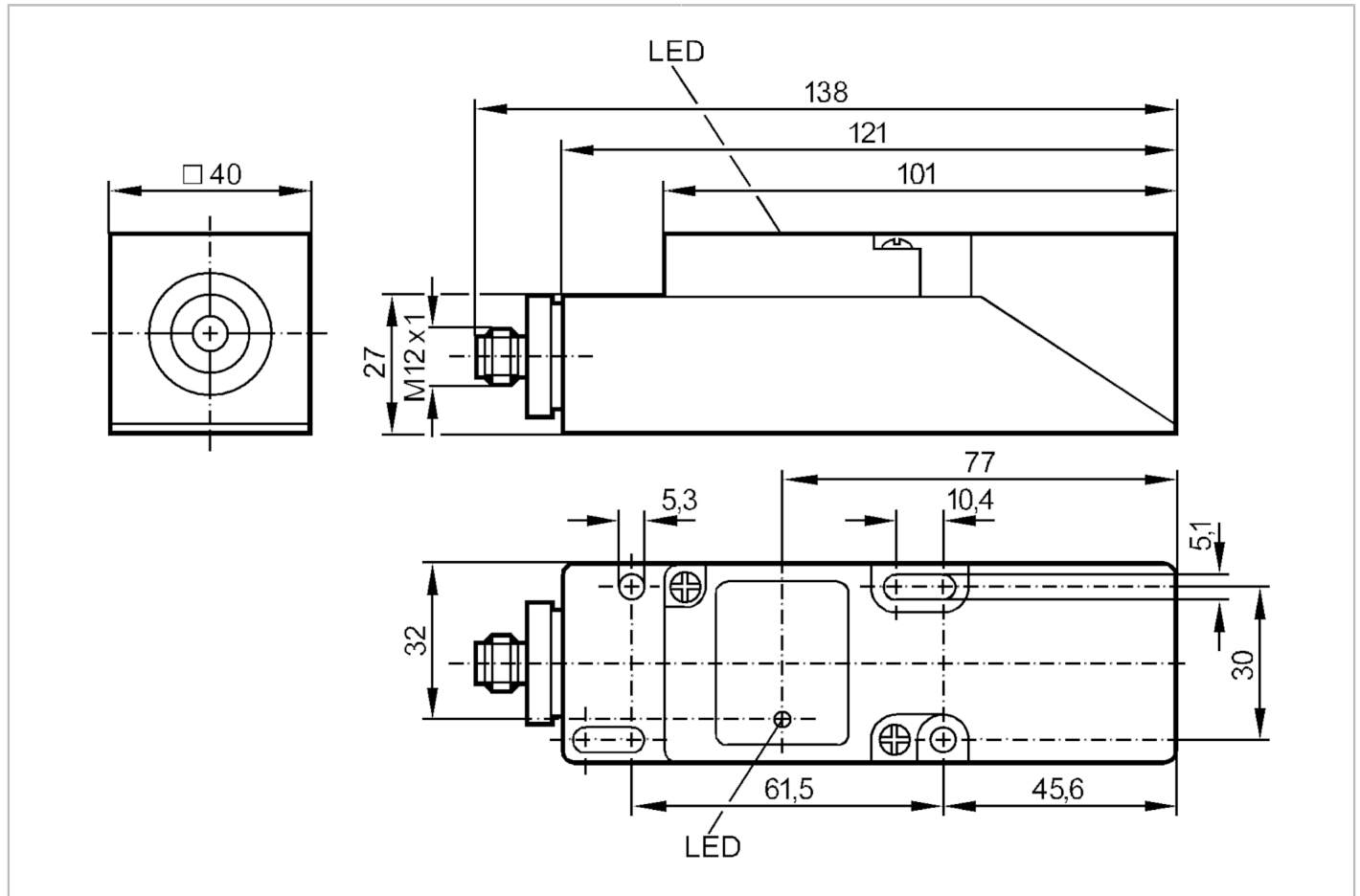


IM8510



Inductive sensor

IME3015BFPKG/US100DPS




| Product characteristics | |
|--|--------------------------------------|
| Electrical design | PNP |
| Output function | normally open / closed; (selectable) |
| Sensing range [mm] | 15 |
| Housing | rectangular |
| Dimensions [mm] | 40 x 40 x 120 |
| Electrical data | |
| Operating voltage [V] | 10...36 DC |
| Current consumption [mA] | 15; (24 V) |
| Reverse polarity protection | yes |
| Outputs | |
| Electrical design | PNP |
| Output function | normally open / closed; (selectable) |
| Max. voltage drop switching output DC [V] | 2.5 |
| Permanent current rating of switching output DC [mA] | 250 |
| Switching frequency DC [Hz] | 350 |
| Short-circuit protection | yes |
| Type of short-circuit protection | yes (non-latching) |
| Overload protection | yes |

IM8510



Inductive sensor

IME3015BFPKG/US100DPS

| Monitoring range | | |
|---|------------------|--|
| Sensing range | [mm] | 15 |
| Real sensing range Sr | [mm] | 15 ± 10 % |
| Operating distance | [mm] | 0...12.1 |
| Accuracy / deviations | | |
| Correction factor | | steel: 1 / stainless steel: 0.7 / brass: 0.4 / aluminum: 0.3 / copper: 0.2 |
| Hysteresis | [% of Sr] | 3...15 |
| Switch-point drift | [% of Sr] | -10...10 |
| Operating conditions | | |
| Ambient temperature | [°C] | -25...80 |
| Protection | | IP 65 |
| Tests / approvals | | |
| EMC | EN 60947-5-2 | |
| | EN 55011 | class B |
| Mechanical data | | |
| Weight | [g] | 208.652 |
| Housing | | rectangular |
| Mounting | | flush mountable |
| Dimensions | [mm] | 40 x 40 x 120 |
| Material | | PPE |
| Displays / operating elements | | |
| Display | Switching status | 1 x LED, red |
| Remarks | | |
| Remarks | | remove jumper for normally closed |
| Pack quantity | | 1 pcs. |
| Electrical connection - plug | | |
| Connector: 1 x M12; coding: A | | |
|  | | |

IM8510



Inductive sensor

IME3015BFPKG/US100DPS

Connection

