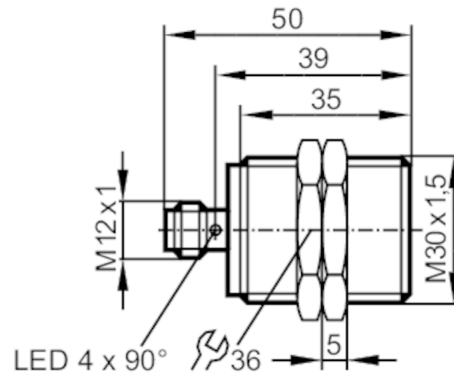




Inductive full-metal sensor

IIB3015BBPKG/AM/V4A/US-104



Product characteristics	
Electrical design	PNP
Output function	normally open
Sensing range [mm]	15
Housing	Threaded type
Dimensions [mm]	M30 x 1.5 / L = 50
Application	
System	gold-plated contacts; Increased sensing range; Full-metal housing
Application	Use in hygienic areas / regular cleaning processes
Pressure rating	100 bar / 10 MPa
Note on pressure rating	sensing face
Electrical data	
Operating voltage [V]	10...30 DC
Current consumption [mA]	< 10
Protection class	III
Reverse polarity protection	yes
Outputs	
Electrical design	PNP
Output function	normally open
Max. voltage drop switching output DC [V]	2.5
Permanent current rating of switching output DC [mA]	100
Switching frequency DC [Hz]	50
Short-circuit protection	yes
Overload protection	yes
Monitoring range	
Sensing range [mm]	15
Real sensing range S_r [mm]	$15 \pm 10 \%$
Operating distance [mm]	0...12.15

IIT243



Inductive full-metal sensor

IIB3015BBPKG/AM/V4A/US-104

Increased sensing range		yes
Accuracy / deviations		
Correction factor		steel: 1 / stainless steel: 0.7 / brass: 0.6 / aluminum: 0.5 / copper: 0.2
Hysteresis	[% of Sr]	3...15
Switch-point drift	[% of Sr]	-10...10
Operating conditions		
Ambient temperature	[°C]	0...100
Protection		IP 65; IP 66; IP 67; IP 68; IP 69K
Tests / approvals		
EMC	EN 61000-4-2 ESD	4 kV CD / 8 kV AD
	EN 61000-4-3 HF radiated	10 V/m
	EN 61000-4-4 Burst	2 kV
	EN 61000-4-6 HF conducted	10 V
	EN 55011	class B
Impact resistance		1 J
Vibration resistance	EN 60068-2-6 Fc	20 g (10...3000 Hz) / 50 sweep cycles per frequency; 1 octave per minute in 3 axes
Shock resistance	EN 60068-2-27 Ea	100 g 11 ms half-sine; 3 shocks each in every direction of the 3 coordinate axes
Continuous shock resistance	EN 60068-2-27	40 g 6 ms; 4000 shocks each in every direction of the 3 coordinate axes
Fast temperature changes	EN 60068-2-14 Nc	\$TA_0GradC_TB_100GradC_t1_30_min_t2_10_s_50
MTTF	[years]	1244
Embedded software included		no
UL approval	Ta	0...70 °C
	Enclosure type	Type 1
	voltage supply	Limited Voltage/Current
	UL approval number	A012
File number UL		E174191
Mechanical data		
Weight	[g]	113.2
Housing		Threaded type
Mounting		flush mountable
Dimensions	[mm]	M30 x 1.5 / L = 50
Thread designation		M30 x 1.5
Material		stainless steel (1.4404 / 316L); sensing face: stainless steel (1.4404 / 316L); LED window: PEI; lock nuts: stainless steel (1.4404 / 316L)
Tightening torque	[Nm]	80
Full-metal housing		yes
Displays / operating elements		
Display	Switching status	4 x LED, yellow
Accessories		
Items supplied		lock nuts: 2
Remarks		
Pack quantity		1 pcs.

IIT243



Inductive full-metal sensor

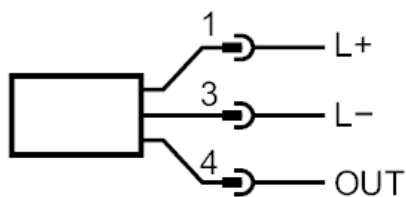
IIB3015BBPKG/AM/V4A/US-104

Electrical connection - plug

Connector: 1 x M12; coding: A; Contacts: gold-plated



Connection



1	L+	
3	L-	
4	OUT	DO (NO)

DO: digital output; NO: normally open